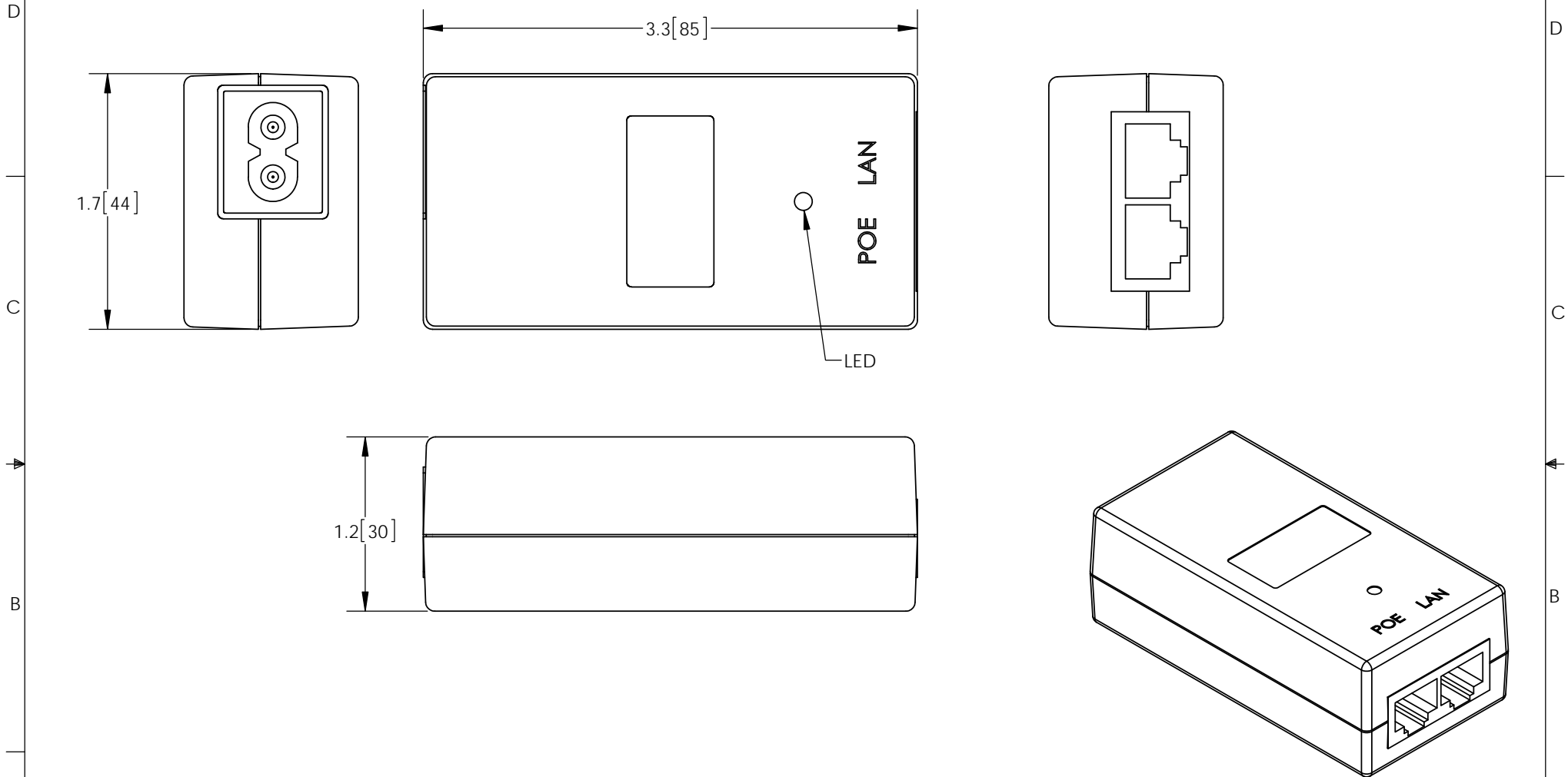


THE INFORMATION CONTAINED IN THIS DRAWING IS THE SOLE PROPERTY OF L-COM, INC. ANY REPRODUCTION IN PART OR WHOLE WITHOUT THE WRITTEN PERMISSION OF L-COM, INC. IS PROHIBITED.

REVISIONS			
REV	DESCRIPTION	DATE	APPROVED
A	INITIAL RELEASE	7/26/12	B.PUCHASKI



NOTES:
 PACKAGING:
 SHALL BE PACKAGED AS PER L-COM SPEC PKG-00091
 - ALL DIMENSIONS FOR REFERENCE ONLY -

RoHS Compliant ✓

UNLESS OTHERWISE SPECIFIED, DIMENSIONS ARE IN INCHES [mm]	APPROVALS	DATE		45 BEECHWOOD DRIVE NORTH ANDOVER, MA 01845
	DRAWN BY B.PUCHASKI	07/26/12		
DIMENSIONAL TOLERANCES: .X = ±.1 .XX = ±.01 .XXX = ±.005	CHECKED BY K.BURGNER	07/26/12	CATEGORY POWER PRODUCTS	
	APPROVED BY K.BURGNER	07/26/12	PRODUCT DESCRIPTION DESKTOP 12VDC PoE INJECTOR W/ 12W 1A POWER SUPPLY	
ANGULAR TOLERANCES: ALL = ± 1°	CONFIGURATION DETAILS OF UNDIMENSIONED FEATURES MAY VARY		SIZE A	FSCM NO. 43321
PROJECTION 	COLOR VARIATIONS MAY OCCUR		DWG. NO. PS1212-POE	REV. A
SCALE: NONE			CAD FILE: PS1212-POE.SLDDRW	
SHEET 1 OF 1				