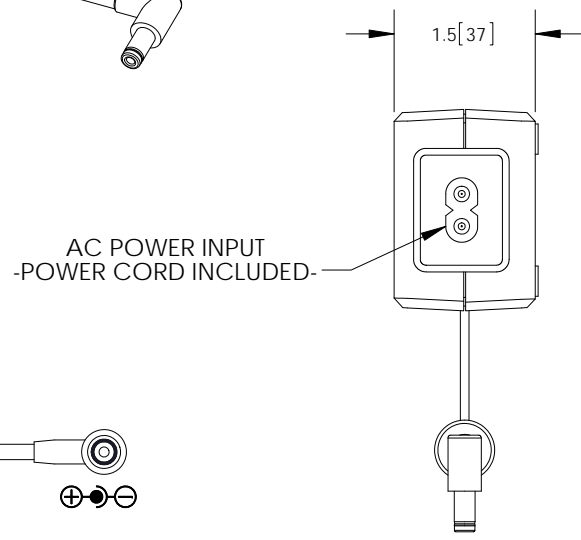
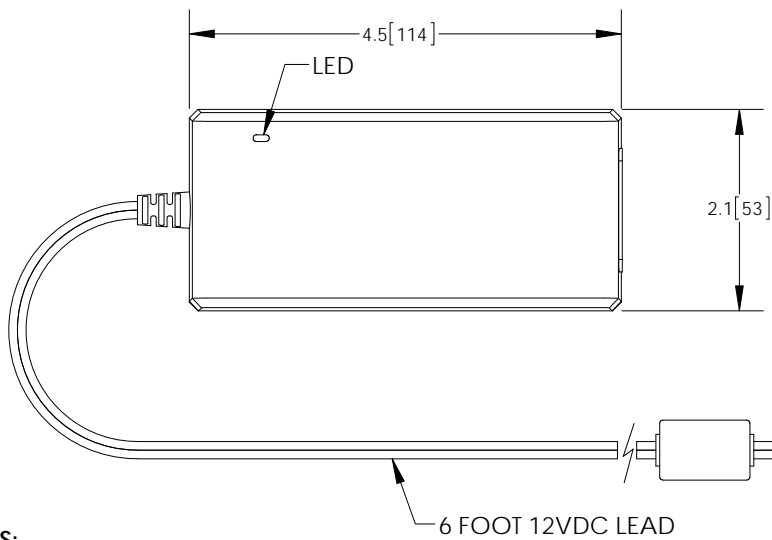
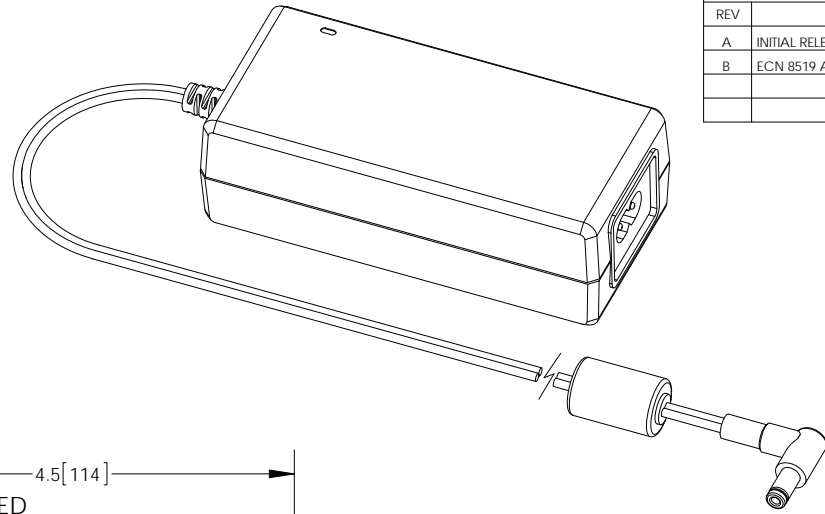


THE INFORMATION CONTAINED IN THIS DRAWING IS THE SOLE PROPERTY OF L-COM, INC. ANY REPRODUCTION IN PART OR WHOLE WITHOUT THE WRITTEN PERMISSION OF L-COM, INC. IS PROHIBITED.

REVISIONS			
REV	DESCRIPTION	DATE	APPROVED
A	INITIAL RELEASE	05/09/13	D.DESJARDIN
B	ECN 8519 ADD DOE EFFICIENCY LEVEL VI NOTE	10/21/16	B.PUCHASKI



**NOTES:**  
 SPECIFICATIONS:  
 SWITCHING POWER SUPPLY  
 12VDC @ 40W, 3.3A  
 110/220VAC  
 2.1mm RT ANGLE DC PLUG  
 CENTER POSITIVE W/ 6 FOOT LEAD

**B** POWER SUPPLY SHALL MEET DOE EFFICIENCY LEVEL VI AND BE SO MARKED ON PRODUCT LABEL

MISCELLANEOUS:  
 ALL PARTS SHALL BE PACKAGED AS PER L-COM SPEC PKG-00012

- ALL DIMENSIONS FOR REFERENCE ONLY -

**REGULATORY COMPLIANCE:**  
 CE2011/65/EU(RoHS DIRECTIVE)

UNLESS OTHERWISE SPECIFIED, DIMENSIONS ARE IN INCHES [mm]  DIMENSIONAL TOLERANCES: .X = ±.1 [2.54] .XX = ±.01 [.25] .XXX = ±.005 [.13]  ANGULAR TOLERANCES: ALL = ± 1°	APPROVALS	DATE	50 HIGH STREET NORTH ANDOVER, MA 01845		
	DRAWN BY B.PUCHASKI	05/09/13			
	CHECKED BY M.MARTINEZ	05/09/13	CATEGORY	POWER SUPPLY	
	APPROVED BY M.MARTINEZ	05/09/13	PRODUCT DESCRIPTION	PS, SWITCHING 12VDC@40W 3.3A W/2.1mm RT ANGLE DC PLUG	
PROJECTION 	COLOR VARIATIONS MAY OCCUR	SIZE <b>A</b>	FSCM NO. <b>43321</b>	DWG. NO. <b>PS1240-21R</b>	REV. <b>B</b>
		SCALE: NONE	CAD FILE: PS1240-21R.SLDDRW	SHEET 1 OF 1	