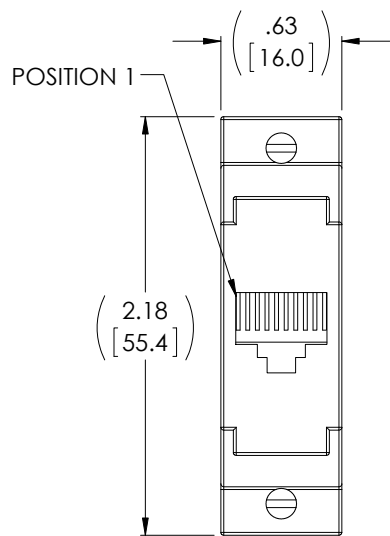


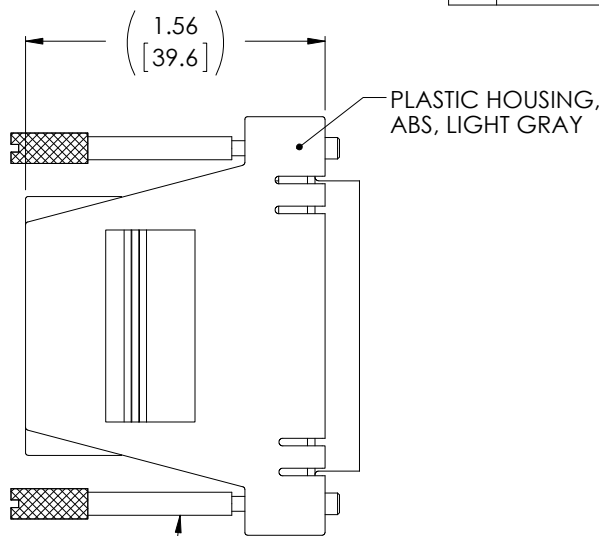
THE INFORMATION CONTAINED IN THIS DRAWING IS THE SOLE PROPERTY OF L-COM, INC. ANY REPRODUCTION IN PART OR WHOLE WITHOUT THE WRITTEN PERMISSION OF L-COM, INC. IS PROHIBITED.

| REVISIONS |                              |          |              |
|-----------|------------------------------|----------|--------------|
| REV       | DESCRIPTION                  | DATE     | APPROVED     |
| A         | DRAWING REPLACES RA2510F-OD1 | 10/14/14 | D. DESJARDIN |
|           |                              |          |              |
|           |                              |          |              |

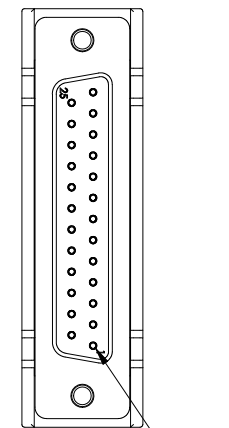


"J1"  
10 POSITION JACK  
(10P10C)

2X 4-40 UNC-2A NICKEL PLATED THUMBSCREW WITH KNURLED KNOB

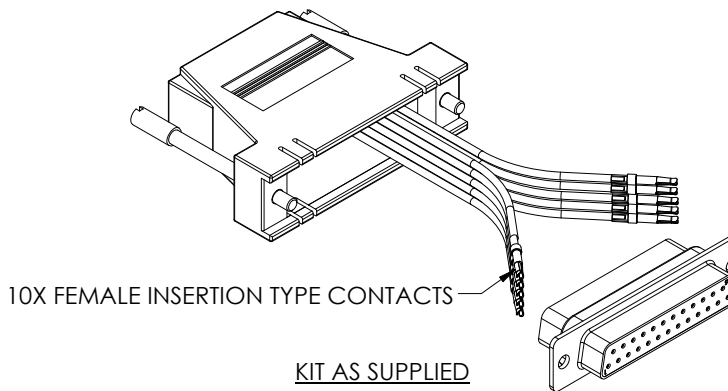


PLASTIC HOUSING,  
ABS, LIGHT GRAY



"J2"  
25 PIN FEMALE  
D-SUB CONNECTOR

| WIRING CHART |        |
|--------------|--------|
| "J1"         | COLOR  |
| PIN 1        | PURPLE |
| PIN 2        | BLUE   |
| PIN 3        | ORANGE |
| PIN 4        | BLACK  |
| PIN 5        | RED    |
| PIN 6        | GREEN  |
| PIN 7        | YELLOW |
| PIN 8        | BROWN  |
| PIN 9        | WHITE  |
| PIN 10       | GRAY   |



10X FEMALE INSERTION TYPE CONTACTS

KIT AS SUPPLIED

**NOTES:**

ADAPTER KIT SHALL BE INDIVIDUALLY PACKAGED UN-ASSEMBLED IN ACCORDANCE WITH L-COM SPECIFICATION PS-0031.

**REGULATORY COMPLIANCE:**  
CE2011/65/EU (RoHS DIRECTIVE)

|  |  |                            |                            |  |
|--|--|----------------------------|----------------------------|--|
| UNLESS OTHERWISE SPECIFIED,<br>DIMENSIONS ARE IN INCHES [mm]<br>OVERALL CABLE LENGTH TOLERANCE:<br>≤12 [305] = +1 [25] / -0<br>>12 [305] ≤60 [1524] = +2 [51] / -0<br>>60 [1524] ≤120 [3048] = +4 [102] / -0<br>>120 [3048] ≤300 [7620] = +6 [152] / -0<br>>300 [7620] = +5% / -0% | APPROVALS  | DATE                       |                            | 45 BEECHWOOD DRIVE<br>NORTH ANDOVER, MA<br>01845 |
|  | DRAWN BY<br>MCCORMICK  | 03/13/01                   |                            |  |
| ALL OTHER DIMENSIONAL TOLERANCES:<br>.X = ± .2 [5.08]<br>.XX = ± .02 [1.51]<br>.XXX = ± .005 [1.13]  | CHECKED BY<br>R.CARRICK  | 05/16/01                   | <b>TELECOM/MODULAR</b>     | <b>ADAPTOR KIT DB25F/10x10 JACK</b>              |
|  | APPROVED BY<br>D.PARHAM  | 05/16/01                   |                            |  |
| PROJECTION<br>   | CONFIGURATION DETAILS OF<br>UNDIMENSIONED FEATURES<br>MAY VARY | CATEGORY                   | PRODUCT DESCRIPTION        |  |
| COLOR VARIATIONS<br>MAY OCCUR  | SCALE: NONE  | FSCM NO.<br><b>A 43321</b> | DWG. NO.<br><b>RA2510F</b> | REV.<br><b>A</b>                                 |
| CAD FILE: RA2510F.SLDDRW   |  | SHEET 1 OF 1               |                            |  |