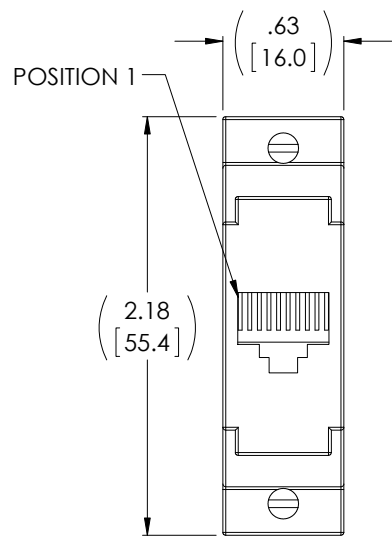


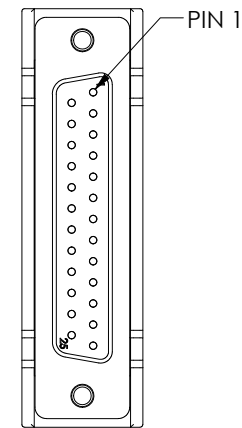
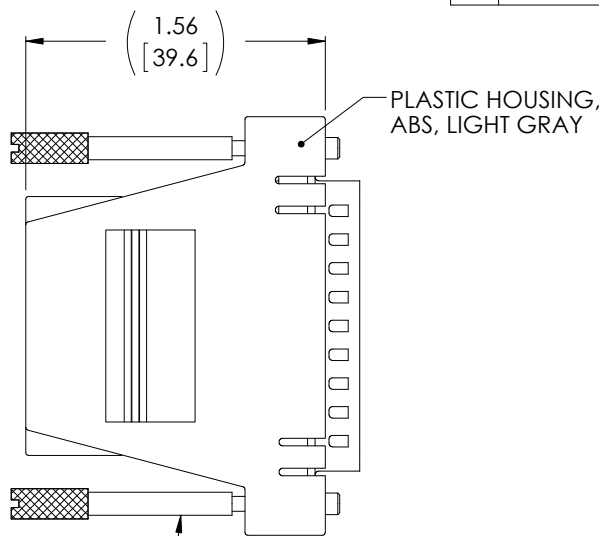
THE INFORMATION CONTAINED IN THIS DRAWING IS THE SOLE PROPERTY OF L-COM, INC. ANY REPRODUCTION IN PART OR WHOLE WITHOUT THE WRITTEN PERMISSION OF L-COM, INC. IS PROHIBITED.

REVISIONS			
REV	DESCRIPTION	DATE	APPROVED
A	DRAWING REPLACES RA2510M-OD1	10/14/14	D. DESJARDIN



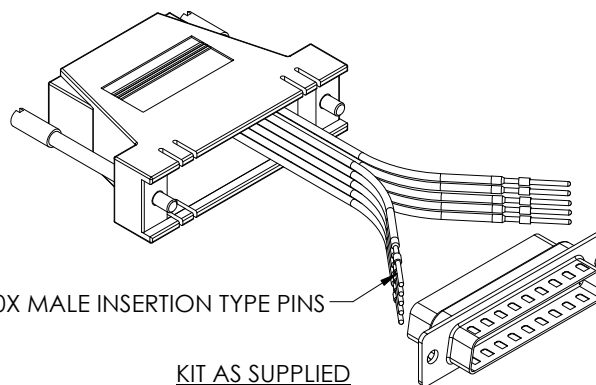
"J1"
10 POSITION JACK
(10P10C)

2X 4-40 UNC-2A NICKEL PLATED THUMBSCREW WITH KNURLED KNOB



"P1"
25 PIN MALE
D-SUB CONNECTOR

WIRING CHART	
"J1"	COLOR
PIN 1	PURPLE
PIN 2	BLUE
PIN 3	ORANGE
PIN 4	BLACK
PIN 5	RED
PIN 6	GREEN
PIN 7	YELLOW
PIN 8	BROWN
PIN 9	WHITE
PIN 10	GRAY



10X MALE INSERTION TYPE PINS

KIT AS SUPPLIED

NOTES:

ADAPTER KIT SHALL BE INDIVIDUALLY PACKAGED UN-ASSEMBLED IN ACCORDANCE WITH L-COM SPECIFICATION PS-0031.

REGULATORY COMPLIANCE:
CE2011/65/EU (RoHS DIRECTIVE)

UNLESS OTHERWISE SPECIFIED, DIMENSIONS ARE IN INCHES [mm] OVERALL CABLE LENGTH TOLERANCE: ≤12 [305] = +1 [25] / -0 >12 [305] ≤60 [1524] = +2 [51] / -0 >60 [1524] ≤120 [3048] = +4 [102] / -0 >120 [3048] ≤300 [7620] = +6 [152] / -0 >300 [7620] = +5% / -0%	APPROVALS	DATE		45 BEECHWOOD DRIVE NORTH ANDOVER, MA 01845
	DRAWN BY MCCORMICK	03/13/01		
ALL OTHER DIMENSIONAL TOLERANCES: .X = ± .2 [5.08] .XX = ± .02 [1.51] .XXX = ± .005 [1.13]	CHECKED BY R.CARRICK	05/16/01	CATEGORY TELECOM/MODULAR	
	APPROVED BY D.PARHAM	05/16/01	PRODUCT DESCRIPTION ADAPTOR KIT DB25M/10x10 JACK	
PROJECTION 	CONFIGURATION DETAILS OF UNDIMENSIONED FEATURES MAY VARY	COLOR VARIATIONS MAY OCCUR	SIZE A	FSCM NO. 43321
			DWG. NO. RA2510M	REV. A
			SCALE: NONE	CAD FILE: RA2510M.SLDDRW
				SHEET 1 OF 1