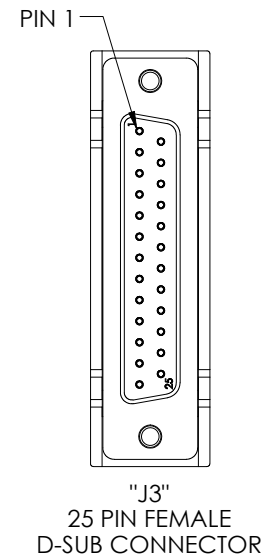
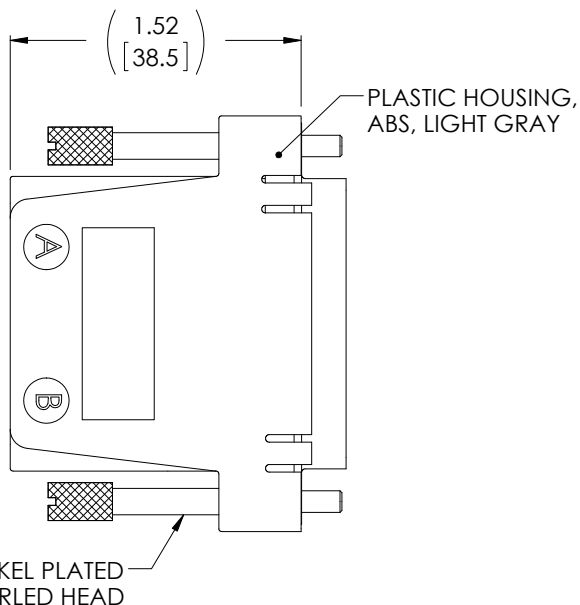
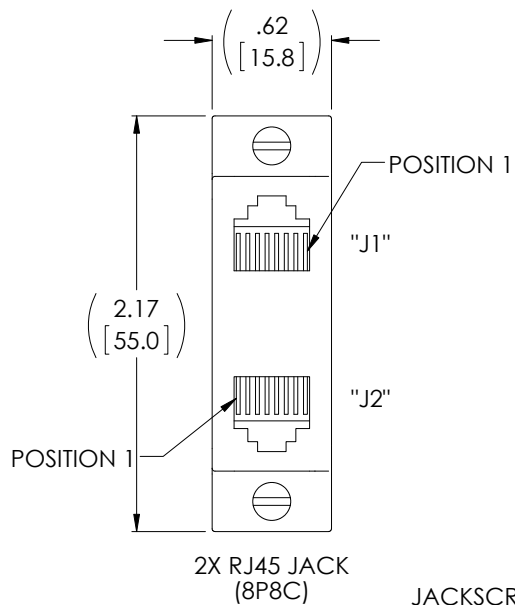
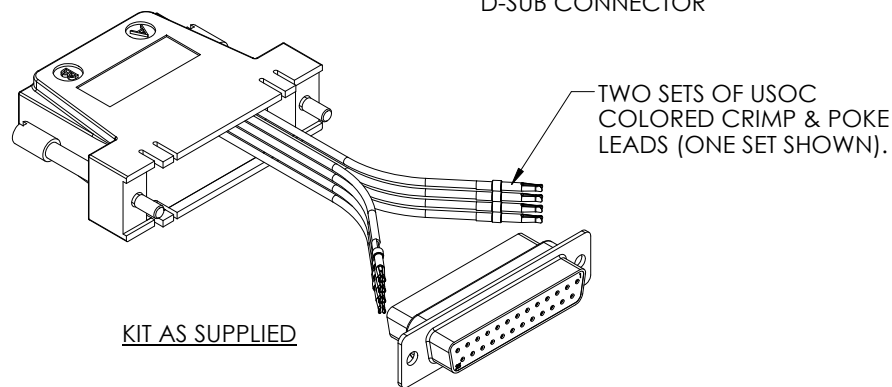


THE INFORMATION CONTAINED IN THIS DRAWING IS THE SOLE PROPERTY OF L-COM, INC. ANY REPRODUCTION IN PART OR WHOLE WITHOUT THE WRITTEN PERMISSION OF L-COM, INC. IS PROHIBITED.

REVISIONS			
REV	DESCRIPTION	DATE	APPROVED
A	DRAWING REPLACES RA2588F-OD1	10/14/14	D. DESJARDIN



WIRING CHART		
"J1"	"J2"	COLOR
PIN 1	PIN 1	BLUE
PIN 2	PIN 2	ORANGE
PIN 3	PIN 3	BLACK
PIN 4	PIN 4	RED
PIN 5	PIN 5	GREEN
PIN 6	PIN 6	YELLOW
PIN 7	PIN 7	BROWN
PIN 8	PIN 8	WHITE



**NOTES:**

- LEADS: UL1061, 26 AWG STRANDED COPPER
- ADAPTER KIT SHALL BE INDIVIDUALLY PACKAGED UN-ASSEMBLED IN ACCORDANCE WITH L-COM SPECIFICATION PS-0031.

**REGULATORY COMPLIANCE:**  
CE2011/65/EU(RoHS DIRECTIVE)

UNLESS OTHERWISE SPECIFIED, DIMENSIONS ARE IN INCHES [mm] OVERALL CABLE LENGTH TOLERANCE: ≤12 [305] = +1 [25] / -0 >12 [305] ≤60 [1524] = +2 [51] / -0 >60 [1524] ≤120 [3048] = +4 [102] / -0 >120 [3048] ≤300 [7620] = +6 [152] / -0 >300 [7620] = +5% / -0%	APPROVALS	DATE		45 BEECHWOOD DRIVE NORTH ANDOVER, MA 01845
	DRAWN BY MCCORMICK	12/20/01		
ALL OTHER DIMENSIONAL TOLERANCES: .X = ± .2 [5.08] .XX = ± .02 [1.51] .XXX = ±.005 [1.13]	CHECKED BY D.PARHAM	12/20/01	CATEGORY TELECOM/MODULAR	
	APPROVED BY R.CARRICK	12/20/01	PRODUCT DESCRIPTION ADAPTOR KIT, DB25F/(2) RJ45 JK	
PROJECTION 	CONFIGURATION DETAILS OF UNDIMENSIONED FEATURES MAY VARY		SIZE <b>A</b>	FSCM NO. <b>43321</b>
	COLOR VARIATIONS MAY OCCUR		DWG. NO. RA2588F	REV. <b>A</b>
			SCALE: NONE	CAD FILE: RA2588F.SLDDRW
			SHEET 1 OF 1	