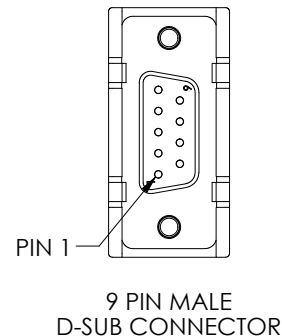
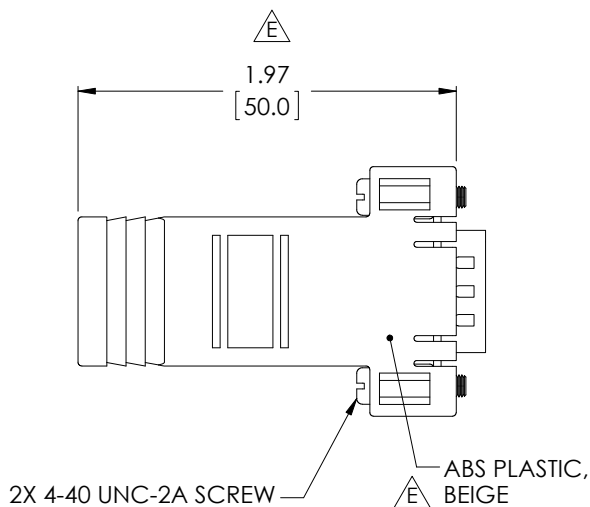
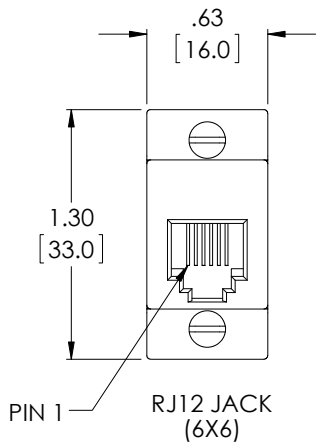
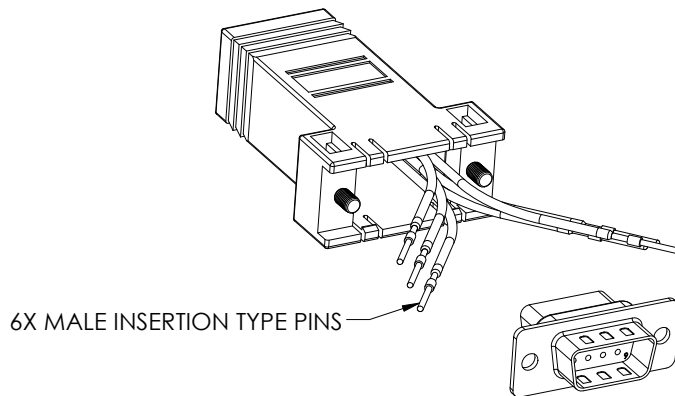


THE INFORMATION CONTAINED IN THIS DRAWING IS THE SOLE PROPERTY OF L-COM, INC. ANY REPRODUCTION IN PART OR WHOLE WITHOUT THE WRITTEN PERMISSION OF L-COM, INC. IS PROHIBITED.

REVISIONS			
REV	DESCRIPTION	DATE	APPROVED
E	ECN 6971: UPDATED DESIGN, FORMAT, PACKAGING, COLOR FROM LT GRAY	7/22/13	D. DESJARDIN



WIRING CHART	
RJ12 JACK	COLOR
PIN 1	WHITE
PIN 2	BLACK
PIN 3	RED
PIN 4	GREEN
PIN 5	YELLOW
PIN 6	BLUE



**NOTES:**

- ADAPTER KIT SHALL BE INDIVIDUALLY PACKAGED UN-ASSEMBLED IN ACCORDANCE WITH L-COM SPECIFICATION PS-0031.
- ALL DIMENSIONS ARE FOR REFERENCE ONLY

**REGULATORY COMPLIANCE:**  
ROHS, CE

UNLESS OTHERWISE SPECIFIED, DIMENSIONS ARE IN INCHES [mm] OVERALL CABLE LENGTH TOLERANCE: ≤12 [305] = +1 [25] / -0 >12 [305] ≤60 [1524] = +2 [51] / -0 >60 [1524] ≤120 [3048] = +4 [102] / -0 >120 [3048] ≤300 [7620] = +6 [152] / -0 >300 [7620] = +5% / -0% ALL OTHER DIMENSIONAL TOLERANCES: .X = ± .2 [5.08] .XX = ± .02 [1.51] .XXX = ±.005 [1.13]	APPROVALS C. McCORMICK CHECKED BY D. PARHAM APPROVED BY R. CARRICK	DATE 1/17/01 1/18/01 1/18/01	45 BEECHWOOD DRIVE NORTH ANDOVER, MA 01845		
	CONFIGURATION DETAILS OF UNDIMENSIONED FEATURES MAY VARY			CATEGORY <b>TELECOM/MODULAR</b>	
PROJECTION 	COLOR VARIATIONS MAY OCCUR	SIZE <b>A</b>	FSCM NO. <b>43321</b>	DWG. NO. <b>RBA096M</b>	REV. <b>E</b>
		SCALE: NONE	CAD FILE: RBA096M.SLDDRW	SHEET 1 OF 1	