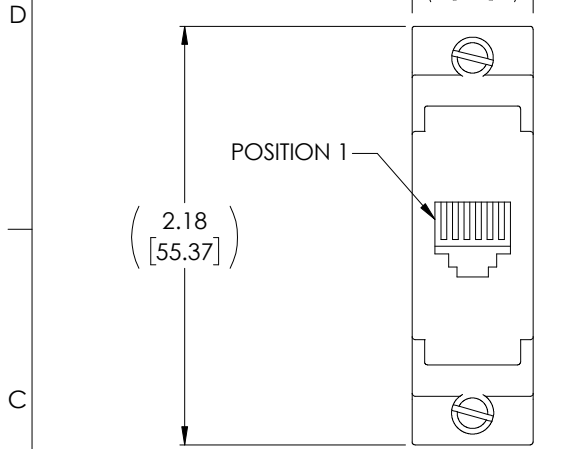
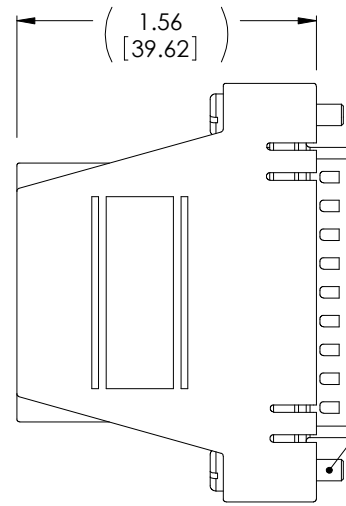


THE INFORMATION CONTAINED IN THIS DRAWING IS THE SOLE PROPERTY OF L-COM, INC. ANY REPRODUCTION IN PART OR WHOLE WITHOUT THE WRITTEN PERMISSION OF L-COM, INC. IS PROHIBITED.

REVISIONS			
REV	DESCRIPTION	DATE	APPROVED
A	DRAWING REPLACES RBA256M-OD1	10/15/14	D. CASTRO

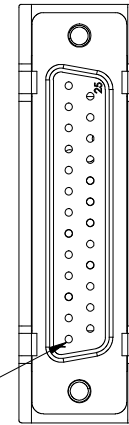


"J1"  
RJ12 JACK  
(6P6C)



2X 4-40 JACKSCREW

PIN 1



MALE 25-POSITION  
D-SUB CONNECTOR

WIRE MAP	
"J1"	COLOR
PIN 1	WHITE OR GRAY
PIN 2	BLACK
PIN 3	RED
PIN 4	GREEN
PIN 5	YELLOW
PIN 6	BLUE

**NOTES:**

**MATERIALS:**

HOUSING: ABS, UL94V-0, LIGHT GRAY  
 D-SUB SHELL: STEEL  
 INSULATOR: PBT W/GLASS FIBER UL94V-0  
 D-SUB CONTACTS: PHOSPHOR BRONZE  
 JACK HOUSING: ABS  
 MODULAR CONTACTS: PHOSPHOR BRONZE

**FINISH:**

D-SUB SHELL FRONT: BRIGHT TIN/NICKEL PLATED  
 D-SUB SHELL REAR: BRIGHT TIN PLATED  
 D-SUB CONTACTS: 30 μINCHES GOLD  
 MODULAR CONTACTS: 30 μINCHES GOLD

**ENVIRONMENTAL:**

OPERATING TEMPERATURE RANGE: 0°C TO 65°C

**MISCELLANEOUS:**

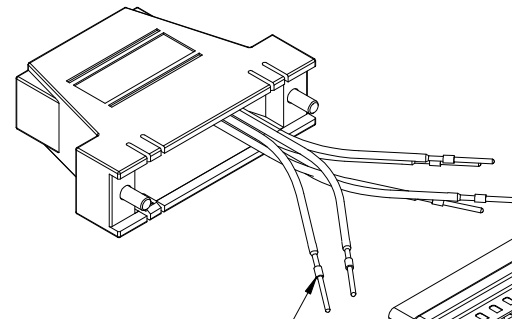
ADAPTER KIT SHALL BE INDIVIDUALLY PACKAGED UN-ASSEMBLED IN ACCORDANCE WITH L-COM SPECIFICATION PS-0031.

ALL DIMENSIONS ARE FOR REFERENCE ONLY

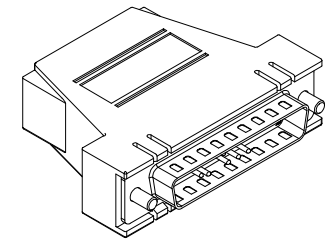
**REGULATORY COMPLIANCE:**

CE2011/65/EU (RoHS DIRECTIVE)

KIT, AS SUPPLIED



6X MALE INSERTION TYPE PINS



ASSEMBLED KIT

UNLESS OTHERWISE SPECIFIED, DIMENSIONS ARE IN INCHES [mm] OVERALL CABLE LENGTH TOLERANCE: ≤12 [305] = +1 [25] / -0 >12 [305] ≤60 [1524] = +2 [51] / -0 >60 [1524] ≤120 [3048] = +4 [102] / -0 >120 [3048] ≤300 [7620] = +6 [152] / -0 >300 [7620] = +3% / -0% ALL OTHER DIMENSIONAL TOLERANCES: .X = ±.2 [5.08] .XX = ±.02 [1.51] .XXX = ±.005 [1.13]	APPROVALS DRAWN BY TJC	DATE 12/12/01		45 BEECHWOOD DRIVE NORTH ANDOVER, MA 01845		
	CHECKED BY DFP	DATE 12/13/01		CATEGORY TELECOM/MODULAR		
	APPROVED BY CM	DATE 12/13/01	PRODUCT DESCRIPTION ADAPTOR KIT, DB25M/RJ12 JACK			
	PROJECTION 	CONFIGURATION DETAILS OF UNDIMENSIONED FEATURES MAY VARY	COLOR VARIATIONS MAY OCCUR	SIZE <b>A</b>	FSCM NO. <b>43321</b>	DWG. NO. <b>RBA256M</b>

SCALE: NONE CAD FILE: RBA256M.SLDDRW SHEET 1 OF 1