

THE INFORMATION CONTAINED IN THIS DRAWING IS THE SOLE PROPERTY OF L-COM, INC. ANY REPRODUCTION IN PART OR WHOLE WITHOUT THE WRITTEN PERMISSION OF L-COM, INC. IS PROHIBITED.

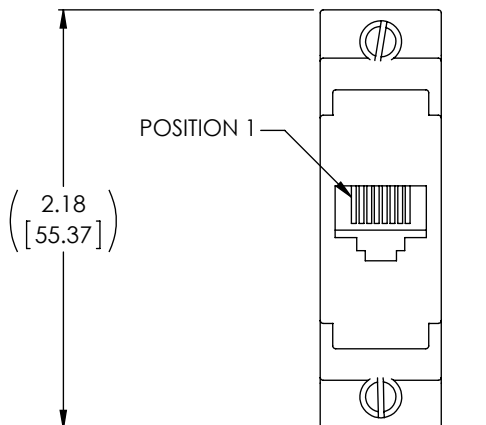
REVISIONS			
REV	DESCRIPTION	DATE	APPROVED
A	DRAWING REPLACES RBA258F-OD1	10/15/14	D. CASTRO

D

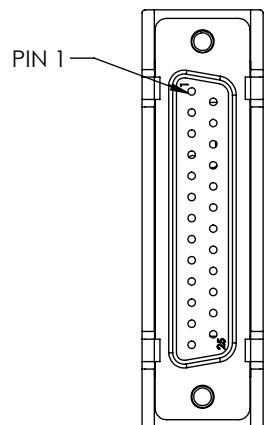
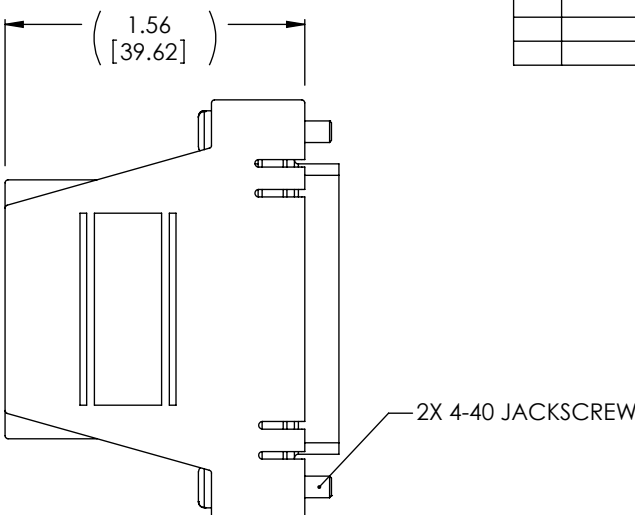
C

B

A



"J1"
RJ45 JACK
(8P8C)



FEMALE 25-POSITION
CRIMP & POKE
D-SUB CONNECTOR

NOTES:

MATERIALS:

HOUSING: ABS, UL94V-0, LIGHT GRAY
 D-SUB SHELL: STEEL
 INSULATOR: PBT W/GLASS FIBER UL94V-0
 D-SUB CONTACTS: PHOSPHOR BRONZE
 JACK HOUSING: ABS
 MODULAR CONTACTS: PHOSPHOR BRONZE

FINISH:

D-SUB SHELL FRONT: BRIGHT TIN/NICKEL PLATED
 D-SUB SHELL REAR: BRIGHT TIN PLATED
 D-SUB CONTACTS: 30 μINCHES GOLD
 MODULAR CONTACTS: 30 μINCHES GOLD

ENVIRONMENTAL:

OPERATING TEMPERATURE RANGE: 0°C TO 65°C

MISCELLANEOUS:

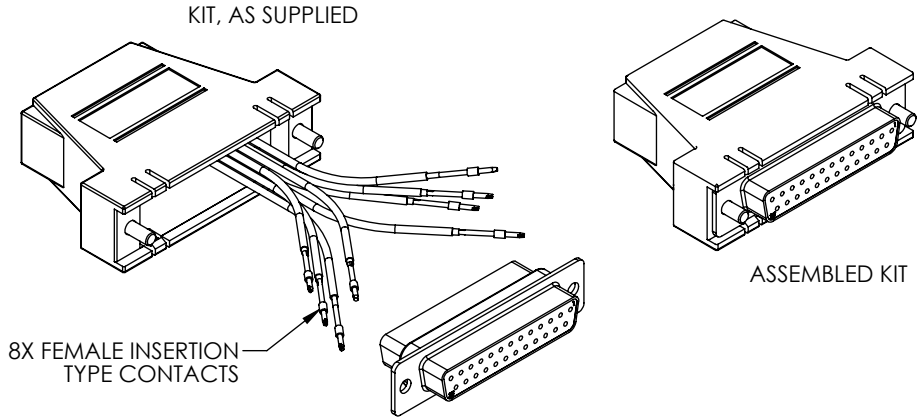
ADAPTER KIT SHALL BE INDIVIDUALLY PACKAGED UN-ASSEMBLED IN ACCORDANCE WITH L-COM SPECIFICATION PS-0031.

ALL DIMENSIONS ARE FOR REFERENCE ONLY

REGULATORY COMPLIANCE:

CE2011/65/EU(RoHS DIRECTIVE)

WIRE MAP	
"J1"	COLOR
PIN 1	BLUE
PIN 2	ORANGE
PIN 3	BLACK
PIN 4	RED
PIN 5	GREEN
PIN 6	YELLOW
PIN 7	BROWN
PIN 8	WHITE OR GRAY



UNLESS OTHERWISE SPECIFIED, DIMENSIONS ARE IN INCHES [mm] OVERALL CABLE LENGTH TOLERANCE: ≤12 [305] = +1 [25] / -0 >12 [305] ≤60 [1524] = +2 [51] / -0 >60 [1524] ≤120 [3048] = +4 [102] / -0 >120 [3048] ≤300 [7620] = +6 [152] / -0 >300 [7620] = +5% / -0% ALL OTHER DIMENSIONAL TOLERANCES: .X = ± .2 [5.08] .XX = ± .02 [51] .XXX = ±.005 [1.3]	APPROVALS DRAWN BY TJC CHECKED BY DFP APPROVED BY CM	DATE 12/12/01 12/13/01 12/13/01		45 BEECHWOOD DRIVE NORTH ANDOVER, MA 01845
	CONFIGURATION DETAILS OF UNDIMENSIONED FEATURES MAY VARY		CATEGORY TELECOM/MODULAR	
	PROJECTION 		PRODUCT DESCRIPTION ADAPTOR KIT, DB25F/RJ45 JACK	
	COLOR VARIATIONS MAY OCCUR	SIZE A	FSCM NO. 43321	DWG. NO. RBA258F

SCALE: NONE CAD FILE: RBA258F.SLDDRW SHEET 1 OF 1

8 7 6 5 4 3 2 1