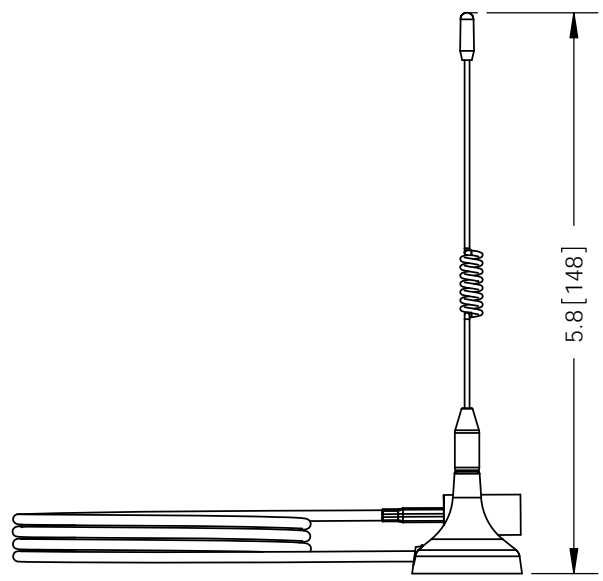
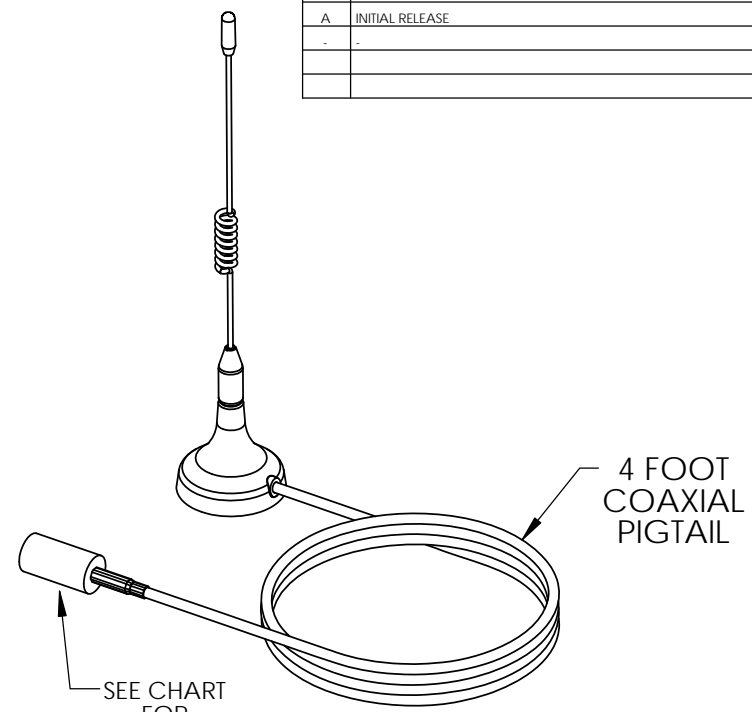
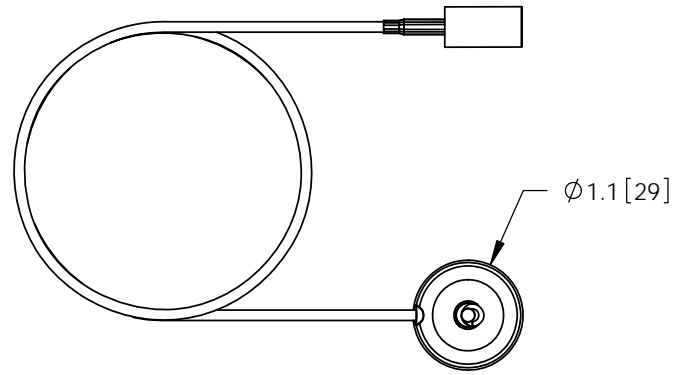


THE INFORMATION CONTAINED IN THIS DRAWING IS THE SOLE PROPERTY OF L-COM, INC. ANY REPRODUCTION IN PART OR WHOLE WITHOUT THE WRITTEN PERMISSION OF L-COM, INC. IS PROHIBITED.

REVISIONS			
REV	DESCRIPTION	DATE	APPROVED
A	INITIAL RELEASE	2/7/12	D.GRIFFIN
-	-	-	-
-	-	-	-



MODEL# RE05U-	
SUFFIX	CONNECTOR TYPE
NF	N-FEMALE
NM	N-MALE
NMR	N-MALE RIGHT ANGLE
RSP	RP SMA-PLUG
RSPR	RP SMA-PLUG RIGHT ANGLE
RTP	RP TNC-PLUG
RNJ	RP N-JACK
RNP	RP N-PLUG
RTPR	RP TNC-PLUG RIGHT ANGLE
SM	SMA MALE
SMR	SMA MALE RIGHT ANGLE
TM	TNC MALE
UM	UHF-MALE
BM	BNC MALE
RBP	RP BNC PLUG
MC	MC CARD MALE
MM	MMCX MALE

RoHS Compliant ✓

NOTES:

PACKAGING:
COMPONENT SHALL BE INDIVIDUALLY PACKAGED IN ACCORDANCE WITH L-COM SPECIFICATION PKG-00012

- ALL DIMENSIONS FOR REFERENCE -

UNLESS OTHERWISE SPECIFIED, DIMENSIONS ARE IN INCHES [mm]	APPROVALS	DATE		45 BEECHWOOD DRIVE NORTH ANDOVER, MA 01845
	DRAWN BY B.PUCHASKI	02/03/12		
	CHECKED BY P.PESA	02/03/12		
DIMENSIONAL TOLERANCES: .X = ±.1 .XX = ±.01 .XXX = ±.005	APPROVED BY P.PESA	02/03/12	CATEGORY	ANTENNA
ANGULAR TOLERANCES: ALL = ± 1°	CONFIGURATION DETAILS OF UNDIMENSIONED FEATURES MAY VARY		PRODUCT DESCRIPTION	2.4GHz 5dBi MOBILE OMNI ANTENNA W/ MAGNETIC BASE AND CONNECTOR PIGTAIL
PROJECTION 	COLOR VARIATIONS MAY OCCUR	SIZE A	FSCM NO. 43321	DWG. NO. RE05U
			SCALE: NONE	CAD FILE: RE05U.SLDDRW
			SHEET 1 OF 1	