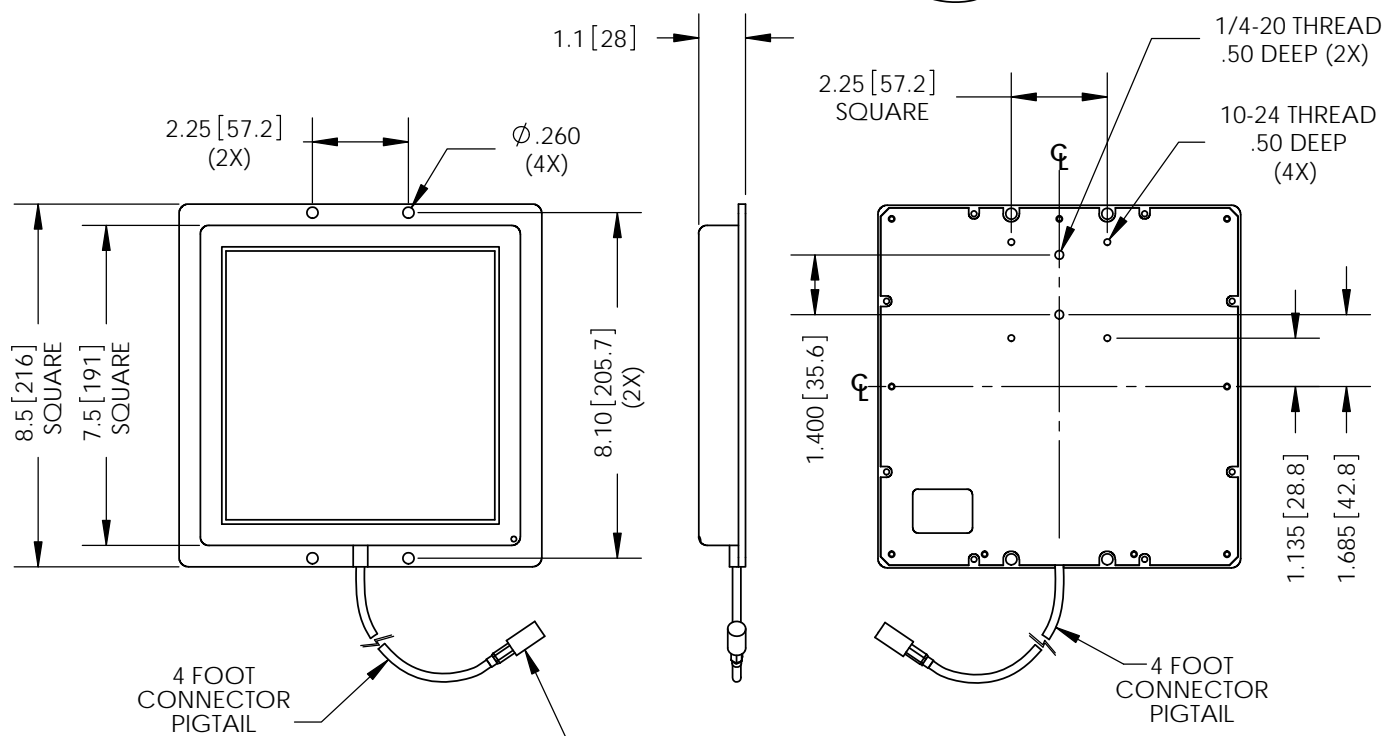


THE INFORMATION CONTAINED IN THIS DRAWING IS THE SOLE PROPERTY OF L-COM, INC. ANY REPRODUCTION IN PART OR WHOLE WITHOUT THE WRITTEN PERMISSION OF L-COM, INC. IS PROHIBITED.

REVISIONS			
REV	DESCRIPTION	DATE	APPROVED
A	INITIAL RELEASE	02/22/2012	BPUCHASKI
B	ECN 8335 UPDATE CONNECTOR CHART WITH QP AND ORP, REMOVE AM	05/13/2016	BPUCHASKI
C	ECN 9443 ADD MC AND MCX TO CONNECTOR CHART	09/26/2018	BPUCHASKI

MODEL# RE14P-	
SUFFIX	CONNECTOR TYPE
NF	N-FEMALE
NM	N-MALE
RSP	RP SMA-PLUG
RSJ	RP SMA-JACK
RTP	RP TNC-PLUG
RTJ	RP TNC-JACK
RNP	RP N-PLUG
RNJ	RP N-JACK
SM	SMA MALE
SF	SMA FEMALE
TM	TNC MALE
TF	TNC FEMALE
BM	BNC MALE
RBP	RP BNC PLUG
RBJ	RP BNC JACK
WM	WAVE RIDER COMPATIBLE TYPE
QPR	QMA PLUG RIGHT ANGLE
QP	QMA PLUG
MC	MC CARD MALE
MCX	MCX MALE



NOTES:
PACKAGING:
 COMPONENT SHALL BE PACKAGED IN ACCORDANCE WITH L-COM SPEC PKG-00012

- ALL DIMENSIONS FOR REFERENCE-

REGULATOR COMPLIANCE:
 CE2011/65/EU(RoHS DIRECTIVE)

UNLESS OTHERWISE SPECIFIED, DIMENSIONS ARE IN INCHES [mm] DIMENSIONAL TOLERANCES: .X = ±.1 [2.54] .XX = ±.01 [.25] .XXX = ±.005 [.13] ANGULAR TOLERANCES: ALL = ± 1°	APPROVALS BPUCHASKI	DATE 02/17/2012		50 HIGH STREET NORTH ANDOVER, MA 01845	
	CHECKED BY P.PESA	02/17/2012		CATEGORY ANTENNA	
	APPROVED BY P.PESA	02/17/2012	PRODUCT DESCRIPTION 2.4GHz 14dBi FLAR PANEL ANTENNA W/ 4 FOOT CONNECTOR PIGTAIL		
	CONFIGURATION DETAILS OF UNDIMENSIONED FEATURES MAY VARY	COLOR VARIATIONS MAY OCCUR	SIZE A	FSCM NO. 43321	DWG. NO. RE14P

PROJECTION

SCALE: NONE | CAD FILE: RE14P.SLDDRW | SHEET 1 OF 1