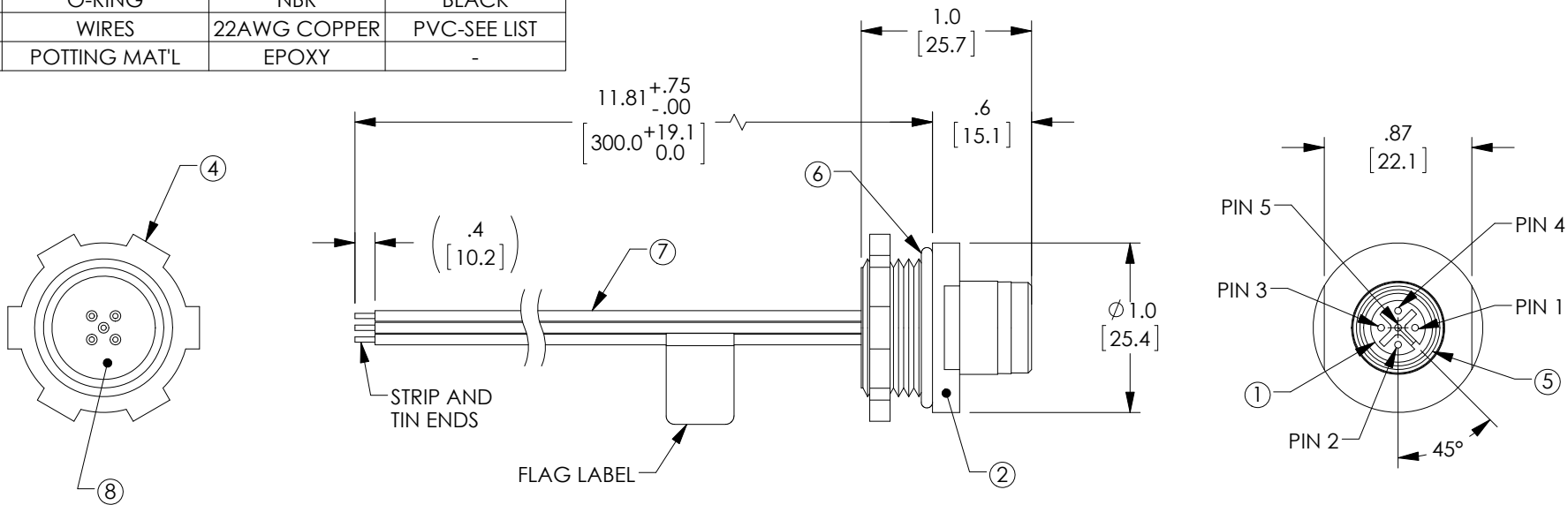


THE INFORMATION CONTAINED IN THIS DRAWING IS THE SOLE PROPERTY OF L-COM, INC. ANY REPRODUCTION IN PART OR WHOLE WITHOUT THE WRITTEN PERMISSION OF L-COM, INC. IS PROHIBITED.

REVISIONS			
REV	DESCRIPTION	DATE	APPROVED
A	INITIAL RELEASE	4/26/16	D.GRIFFIN

ITEM #	DESCRIPTION	MATERIAL	FINISH
1	INSERT	TPU	BLACK
2	HOUSING	BRASS	NICKEL PLATED
3	CONTACT	BRASS	GOLD PLATED
4	LOCK NUT	STEEL	ZINC PLATED
5	O-RING	VITON	RED
6	O-RING	NBR	BLACK
7	WIRES	22AWG COPPER	PVC-SEE LIST
8	POTTING MAT'L	EPOXY	-



WIRE LIST	
WIRE	COLOR
1	BROWN
2	WHITE
3	BLUE
4	BLACK
5	GRAY

SPECIFICATIONS:

1. VOLTAGE RATING: 250 VAC/VDC
2. AMP RATING: 4 AMP
3. PROTECTION CLASS: IP 67/68/69K (WHEN MATED)
4. OPERATING TEMPERATURE: -25 °C ~ 90 °C.

NOTES:

1. STRIP DIMENSIONS SHOWN ARE FOR REFERENCE ONLY AND MAY VARY.
2. MINIMUM LABEL INFO INCLUDES PART NUMBER, DATE CODE, VOLTAGE AND AMPERAGE.
3. CABLE ASSEMBLIES TO BE TESTED FOR CONTINUITY
4. CABLE ASSEMBLY SHALL BE INDIVIDUALLY PACKAGED IN
5. ACCORDANCE WITH L-COM SPECIFICATION PS-0031.

UNLESS OTHERWISE SPECIFIED, DIMENSIONS ARE IN INCHES (mm) OVERALL CABLE LENGTH TOLERANCE: ≤12 [305] = +1 [25] / -0 >12 [305] ≤60 [1524] = +2 [51] / -0 >60 [1524] ≤120 [3048] = +4 [102] / -0 >120 [3048] ≤300 [7620] = +6 [152] / -0 >300 [7620] = +5% / -0% ALL OTHER DIMENSIONAL TOLERANCES: .X = ±.2 [5.08] .XX = ±.02 [1.51] .XXX = ±.005 [1.13]	APPROVALS	DATE		50 HIGH STREET NORTH ANDOVER, MA 01845
	DRAWN BY D.FRISIELLO	4/5/16		CATEGORY TELECOM / MODULAR
PROJECTION 	CHECKED BY J.WHITE	4/22/16	PRODUCT DESCRIPTION M125F REAR IP69 0.3M LEADS	
	APPROVED BY D.GUITADAURO	4/22/16	SIZE A	FSCM NO. 43321
			DWG. NO. REC-M125FR-LEADS	REV. A
	COLOR VARIATIONS MAY OCCUR		SCALE: NONE	CAD FILE: REC-M125FR-LEADS.SLDDRW
				SHEET 1 OF 1