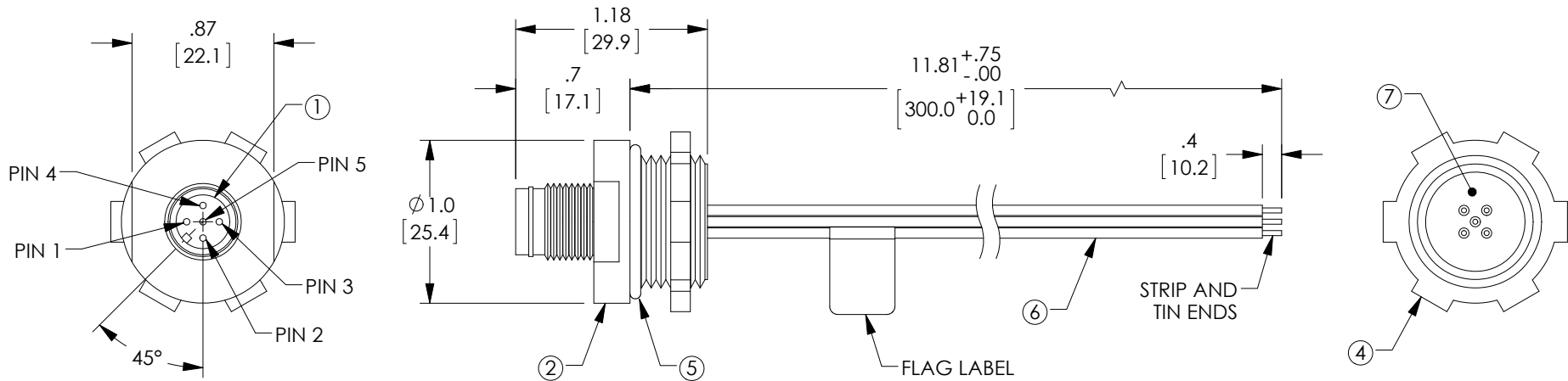


THE INFORMATION CONTAINED IN THIS DRAWING IS THE SOLE PROPERTY OF L-COM, INC. ANY REPRODUCTION IN PART OR WHOLE WITHOUT THE WRITTEN PERMISSION OF L-COM, INC. IS PROHIBITED.

REVISIONS			
REV	DESCRIPTION	DATE	APPROVED
A	INITIAL RELEASE	6/21/16	D.GRIFFIN

ITEM #	DESCRIPTION	MATERIAL	FINISH
1	INSERT	PA	BLACK
2	HOUSING	BRASS	NICKEL PLATED
3	CONTACT	BRASS	GOLD PLATED
4	LOCK NUT	STEEL	ZINC PLATED
5	O-RING	NBR	BLACK
6	WIRES	22AWG COPPER	PVC-SEE LIST
7	POTTING MAT'L	EPOXY	-



WIRE LIST	
WIRE	COLOR
1	BROWN
2	WHITE
3	BLUE
4	BLACK
5	GRAY

**SPECIFICATIONS:**

1. VOLTAGE RATING: 250 VAC/VDC
2. AMP RATING: 4 AMP
3. PROTECTION CLASS: IP 67/68/69K (WHEN MATED)
4. OPERATING TEMPERATURE: -25°C ~ 90°C.
5. PANEL THICKNESS MAX.: .245 [6.2mm]

**NOTES:**

1. STRIP DIMENSIONS SHOWN ARE FOR REFERENCE ONLY AND MAY VARY.
2. MINIMUM LABEL INFO INCLUDES PART NUMBER, DATE CODE, VOLTAGE AND AMPERAGE.
3. CABLE ASSEMBLIES TO BE TESTED FOR CONTINUITY.
4. CABLE ASSEMBLY SHALL BE INDIVIDUALLY PACKAGED IN ACCORDANCE WITH L-COM SPECIFICATION PS-0031.

UNLESS OTHERWISE SPECIFIED, DIMENSIONS ARE IN INCHES [mm] OVERALL CABLE LENGTH TOLERANCE: ≤12 [305] = +1 [25] / -0 >12 [305] ≤60 [1524] = +2 [51] / -0 >60 [1524] ≤120 [3048] = +4 [102] / -0 >120 [3048] ≤300 [7620] = +6 [152] / -0 >300 [7620] = +5% / -0% ALL OTHER DIMENSIONAL TOLERANCES: .X = ±.2 [5.08] .XX = ±.02 [5.1] .XXX = ±.005 [1.3]	APPROVALS D.FRISIELLO CHECKED BY J.WHITE APPROVED BY D.GUITADAURO	DATE 6/21/16 6/21/16 6/21/16	50 HIGH STREET NORTH ANDOVER, MA 01845		
	CONFIGURATION DETAILS OF UNDIMENSIONED FEATURES MAY VARY	CATEGORY <b>TELECOM / MODULAR</b>		PRODUCT DESCRIPTION <b>M125M REAR IP69 0.3M LEADS</b>	
PROJECTION 	COLOR VARIATIONS MAY OCCUR	SIZE <b>A</b>	FSCM NO. <b>43321</b>	DWG. NO. <b>REC-M125MR-LEADS</b>	REV. <b>A</b>
SCALE: NONE		CAD FILE: REC-M125MR-LEADS.SLDDRW		SHEET 1 OF 1	