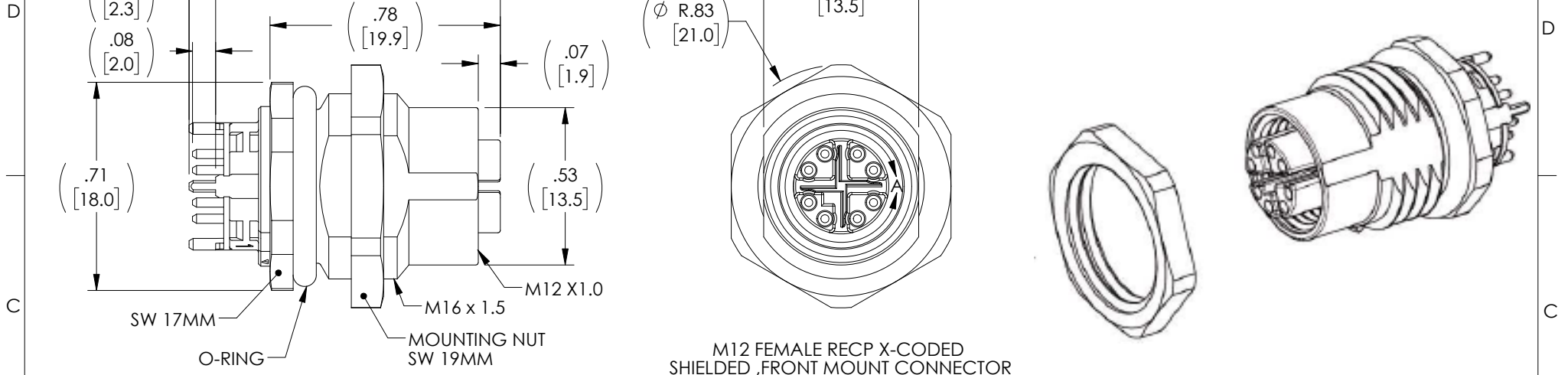
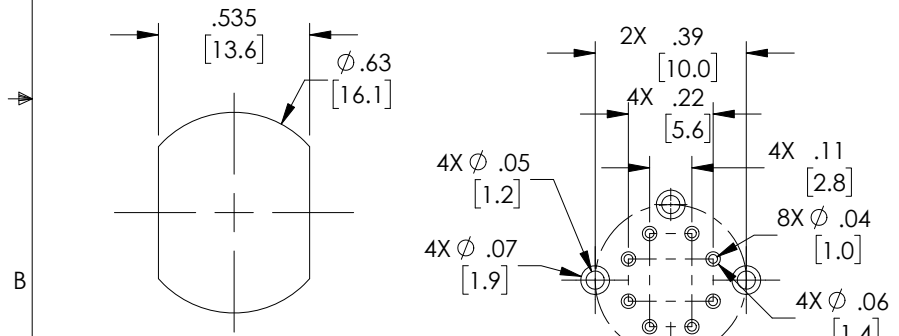


THE INFORMATION CONTAINED IN THIS DRAWING IS THE SOLE PROPERTY OF L-COM, INC. ANY REPRODUCTION IN PART OR WHOLE WITHOUT THE WRITTEN PERMISSION OF L-COM, INC. IS PROHIBITED.

REVISIONS			
REV	DESCRIPTION	DATE	APPROVED
A	INITIAL RELEASE PER DUSTIN GUTTADAURO	03/28/2017	JLABOY
B	ECN 11485: ROTATED SIDE VIEW FOR MOUNTING PIN CLARITY	11/05/2021	GUTTADAURO

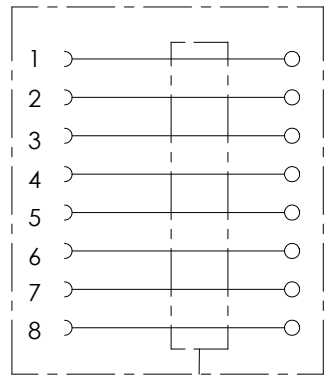


M12 FEMALE RECP X-CODED SHIELDED ,FRONT MOUNT CONNECTOR

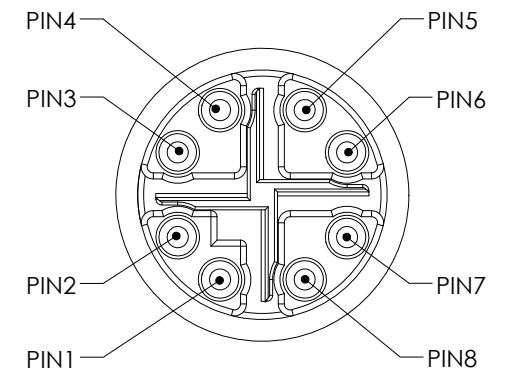


RECOMMENDED CUT-OUT SIZE
MAX PANEL THICKNESS: 4.5MM

RECOMMENDED LAYOUT
THICKNESS OF PCB: 1.55MM



SCHEMATIC DIAGRAM




DETAIL A
CONNECTOR PIN ASSIGNMENT

NOTES:

- MECHANICAL DATA:**
1. CODING: M12, X-CODED, FEMALE
 2. LOCKING OF PORTS SCREW THREAD: M12 X1 MM (RECOMMENDED TORQUE 0.6 NM) SELF-SECURING
 3. PROTECTION: IP67 (WHEN MATED AND TIGHTENED, EN 60529)
 4. HOUSING: ZINC, PRESSURE DIE CASTING, SURFACE NICKEL PLATED
 5. TEMPERATURE RANG: -40 TO +85 °C

- MISCELLANEOUS:**
1. OPERATING VOLTAGE: MAX 50 V AC/60 V DC
 2. OPERATING CURRENT: PER CONTACT MAX 0.5 A
 3. TRANSFER PARAMETERS: CAT6, CLASS EA (ISO/IEC 11801:2002), (EN 50173-1)
 4. TRANSFER RATE: 10 GBIT/S
 5. SHIPS UNASSEMBLED

REGULATORY COMPLIANCE:
EU RoHS DIRECTIVE (MOST RECENT RELEASED VERSION)

UNLESS OTHERWISE SPECIFIED, DIMENSIONS ARE IN INCHES [mm]	APPROVALS	DATE	 50 High Street, West Mill, North Andover, MA 01845 USA. Phone: 1.800.341.5266 1.978.682.6936
	DCUI	03/14/2017	
OVERALL CABLE LENGTH TOLERANCES:	DRAWN BY	03/14/2017	CATEGORY TELECOM/MODULAR
≤12 [305] = +1 [25] / -0	CHECKED BY	03/14/2017	
>12 [305] ≤60 [1524] = +2 [51] / -0	APPROVED BY	03/14/2017	
>60 [1524] ≤120 [3048] = +4 [102] / -0	SPAN	03/14/2017	PRODUCT DESCRIPTION M12 FEMALE RECEPTACLE X CODED FRONT MOUNT SOLDER
>120 [3048] ≤300 [7620] = +6 [152] / -0	CONFIGURATION DETAILS OF UNDIMENSIONED FEATURES MAY VARY		
>300 [7620] = +5% / -0	COLOR VARIATIONS MAY OCCUR		SIZE A CAGE CODE 43321 ITEM NO. REC-M128XFF REV. B
ALL OTHER DIMENSIONAL TOLERANCES:	THIRD-ANGLE PROJECTION		SCALE: NONE CAD FILE: REC-M128XFF.SLDDRW SHEET 1 OF 1
.X = ±.2 [5] FRACTIONS ± 1/32			
.XX = ±.02 [.5] ANGLES ± 1°			
.XXX = ±.005 [.13]			