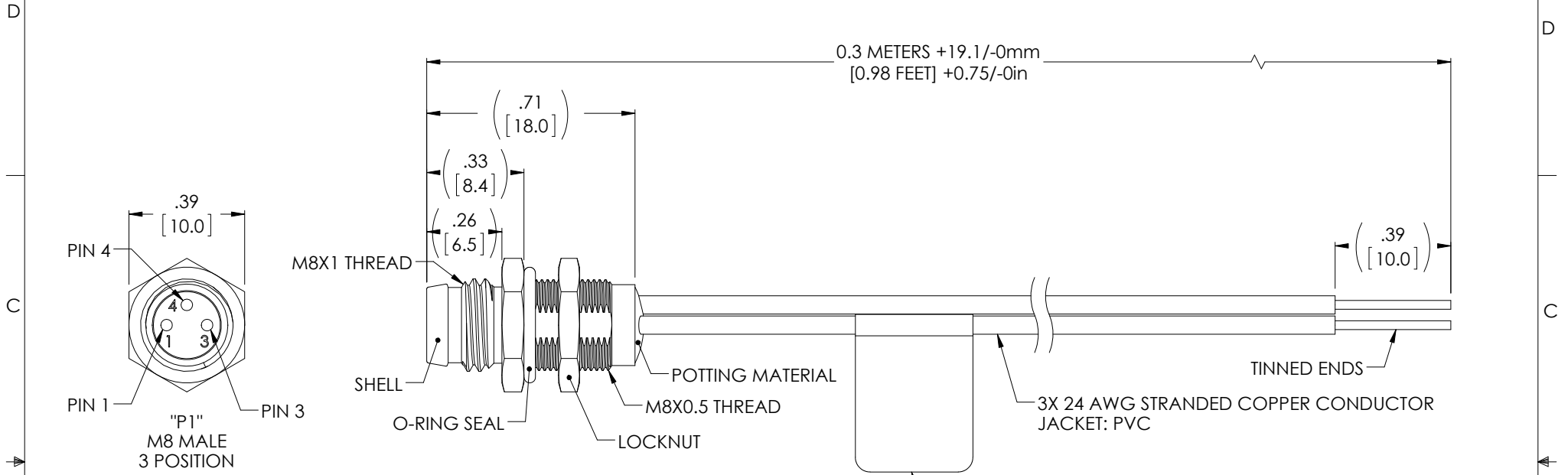


THE INFORMATION CONTAINED IN THIS DRAWING IS THE SOLE PROPERTY OF L-COM, INC. ANY REPRODUCTION IN PART OR WHOLE WITHOUT THE WRITTEN PERMISSION OF L-COM, INC. IS PROHIBITED.

REVISIONS			
REV	DESCRIPTION	DATE	APPROVED
A	INITIAL RELEASE	4/22/16	D.GRIFFIN



**NOTES:**

**MATERIAL:**  
 INSULATOR: PA12  
 CONTACTS: BRASS, GOLD OVER NICKEL PLATE  
 LOCKNUT: BRASS, NICKEL PLATE  
 O-RING: NBR, BLACK  
 POTTING MATERIAL: WEVO RESIN PU 552 FL NATUR 50

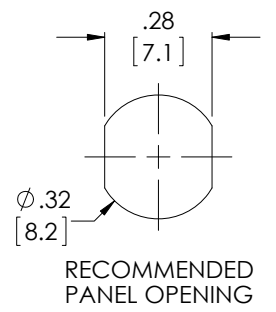
**ELECTRICAL:**  
 NOMINAL VOLTAGE RATING: 60VAC / 75VDC  
 MAX CURRENT: 4A

**APPLICATION:**  
 INGRESS PROTECTION RATING IS IP67 (MATED)

**ENVIRONMENTAL:**  
 OPERATING TEMPERATURE RANGE: -20°C TO +105°C

**MISCELLANEOUS:**  
 STRIP DIMENSIONS SHOWN ARE FOR REFERENCE ONLY AND MAY VARY.  
 MINIMUM LABEL INFO INCLUDES PART NUMBER, DATE CODE, VOLTAGE AND AMPERAGE.  
 CABLE ASSEMBLIES TO BE TESTED FOR CONTINUITY  
 CABLE ASSEMBLY SHALL BE INDIVIDUALLY PACKAGED IN ACCORDANCE WITH L-COM SPECIFICATION PS-0031.

WIRING MAP	
"P1"	COLOR
1	BROWN
3	BLUE
4	BLACK



UNLESS OTHERWISE SPECIFIED, DIMENSIONS ARE IN INCHES [mm]  
 OVERALL CABLE LENGTH TOLERANCE:  
 ≤12 [305] = +1 [25] / -0  
 >12 [305] ≤60 [1524] = +2 [51] / -0  
 >60 [1524] ≤120 [3048] = +4 [102] / -0  
 >120 [3048] ≤300 [7620] = +6 [152] / -0  
 >300 [7620] = +5% / -0%  
 ALL OTHER DIMENSIONAL TOLERANCES:  
 .X = ±.2 [5.08]  
 .XX = ±.02 [5.1]  
 .XXX = ±.005 [1.3]  
 PROJECTION

APPROVALS	DATE
DRAWN BY D. DESJARDIN	3/30/16
CHECKED BY D. FRISIELLO	4/11/16
APPROVED BY D. GUITTADAURO	4/20/16

**L-com** Global Connectivity  
 50 HIGH STREET  
 NORTH ANDOVER, MA  
 01845

CATEGORY: TELECOM/MODULAR

PRODUCT DESCRIPTION: M83M REAR IP67 24AWG PVC LEADS

SIZE <b>A</b>	FSCM NO. <b>43321</b>	DWG. NO. <b>REC-M83MR-LEADS</b>	REV. <b>A</b>
------------------	--------------------------	------------------------------------	------------------

SCALE: NONE | CAD FILE: REC-M83MR-LEADS.SLDDRW | SHEET 1 OF 1