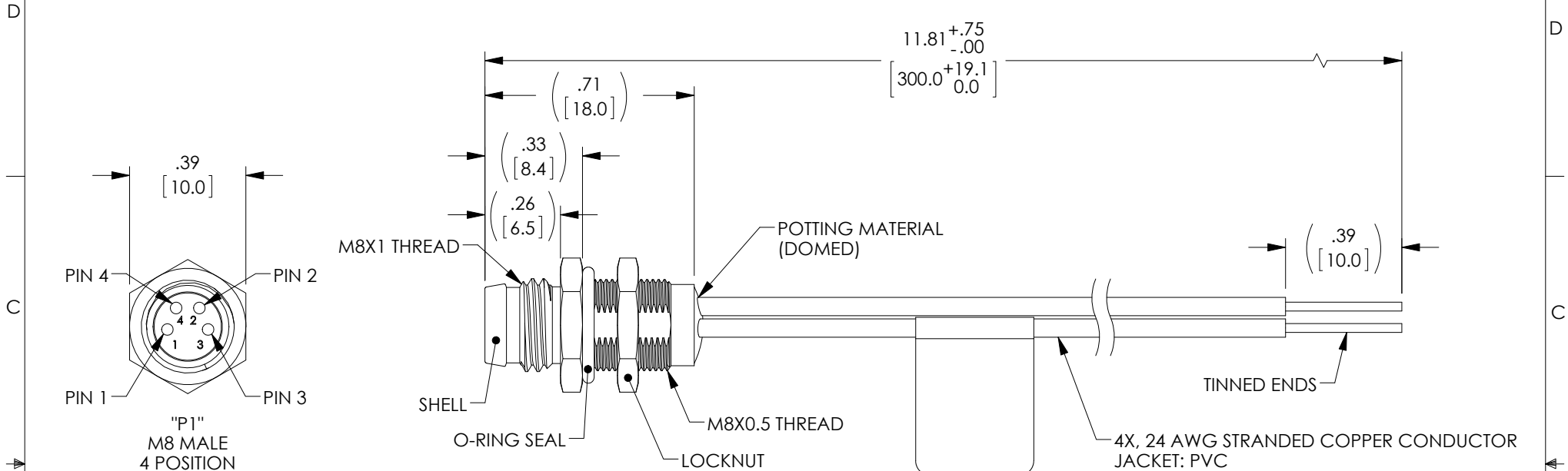


THE INFORMATION CONTAINED IN THIS DRAWING IS THE SOLE PROPERTY OF L-COM, INC. ANY REPRODUCTION IN PART OR WHOLE WITHOUT THE WRITTEN PERMISSION OF L-COM, INC. IS PROHIBITED.

REVISIONS			
REV	DESCRIPTION	DATE	APPROVED
A	INITIAL RELEASE	6/17/16	D.GRIFFIN



NOTES:

MATERIAL:

INSULATOR: PA12
 CONTACTS: BRASS, GOLD OVER NICKEL PLATE
 LOCKNUT: BRASS, NICKEL PLATE
 O-RING: NBR, BLACK
 POTTING MATERIAL: WEVO RESIN PU 552 FL NATUR 50

ELECTRICAL:

NOMINAL VOLTAGE RATING: 60VAC / 75VDC
 MAX CURRENT: 4A

APPLICATION:

INGRESS PROTECTION RATING IS IP67 (MATED)

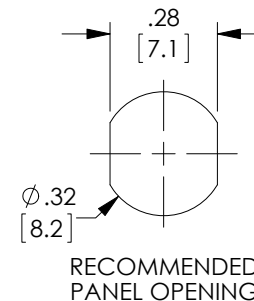
ENVIRONMENTAL:

OPERATING TEMPERATURE RANGE: -20°C TO +105°C

MISCELLANEOUS:

STRIP DIMENSIONS SHOWN ARE FOR REFERENCE ONLY AND MAY VARY.
 MINIMUM LABEL INFO INCLUDES PART NUMBER, DATE CODE, VOLTAGE AND AMPERAGE.
 CABLE ASSEMBLIES TO BE TESTED FOR CONTINUITY
 CABLE ASSEMBLY SHALL BE INDIVIDUALLY PACKAGED IN ACCORDANCE WITH L-COM SPECIFICATION PS-0031.

WIRING MAP	
"P1"	COLOR
1	BROWN
2	WHITE
3	BLUE
4	BLACK



UNLESS OTHERWISE SPECIFIED, DIMENSIONS ARE IN INCHES [mm]

OVERALL CABLE LENGTH TOLERANCE:
 ≤12 [305] = +1 [25] / -0
 >12 [305] ≤60 [1524] = +2 [51] / -0
 >60 [1524] ≤120 [3048] = +4 [102] / -0
 >120 [3048] ≤300 [7620] = +6 [152] / -0
 >300 [7620] = +5% / -0%

ALL OTHER DIMENSIONAL TOLERANCES:
 .X = ± .2 [5.08]
 .XX = ± .02 [1.51]
 .XXX = ± .005 [1.13]

PROJECTION

APPROVALS	DATE
DRAWN BY D. DESJARDIN	6/17/16
CHECKED BY D. FRISIELLO	6/17/16
APPROVED BY D. GUTTADAURO	6/17/16

CONFIGURATION DETAILS OF UNDIMENSIONED FEATURES MAY VARY

COLOR VARIATIONS MAY OCCUR

L-com Global Connectivity

50 HIGH STREET
 NORTH ANDOVER, MA
 01845

CATEGORY: TELECOM/MODULAR

PRODUCT DESCRIPTION: M84M REAR IP67 24AWG PVC LEADS

SIZE A	FSCM NO. 43321	DWG. NO. REC-M84MR-LEADS	REV. A
------------------	--------------------------	------------------------------------	------------------

SCALE: NONE | CAD FILE: REC-M84MR-LEADS.SLDDRW | SHEET 1 OF 1