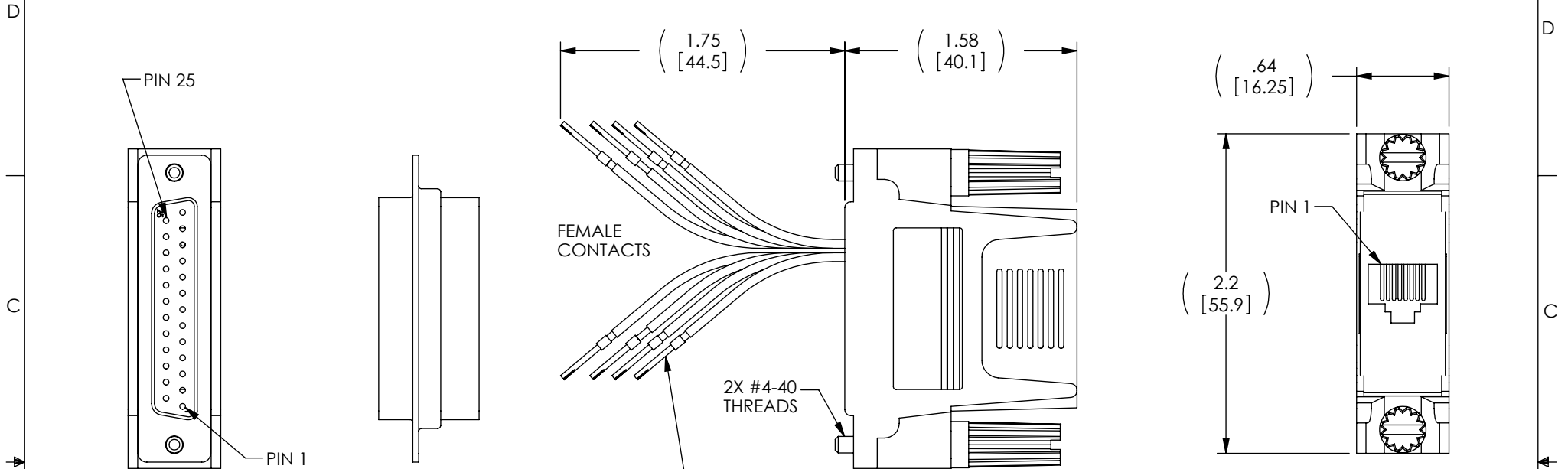


THE INFORMATION CONTAINED IN THIS DRAWING IS THE SOLE PROPERTY OF L-COM, INC. ANY REPRODUCTION IN PART OR WHOLE WITHOUT THE WRITTEN PERMISSION OF L-COM, INC. IS PROHIBITED.

REVISIONS			
REV	DESCRIPTION	DATE	APPROVED
A	DRAWING NUMBER WAS 96-032909	8/10/09	D. CASTRO




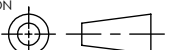
25 CONTACTS
DB25 FEMALE
CONNECTOR

REC ADAPTOR KITS ARE INTENDED TO BE USER PROGRAMMED. COLOR CODED STRANDED COPPER LEADS WITH CONNECTOR CONTACTS MAY BE EASILY INSERTED INTO THE CONNECTOR SHELL POSITIONS AND PERMANENTLY SEATED USING A TOOL SUCH AS L-COM'S TDT PIN INSERTION TOOL. RJ45 MODELS HAVE 8 LEADS. D-SUB FRAME SNAPS SECURELY INTO HOUSING.

WIRE MAP	
RJ45	COLOR
1	BLUE
2	ORANGE
3	BLACK
4	RED
5	GREEN
6	YELLOW
7	BROWN
8	WHITE OR GRAY

NOTES:

1. DB25 FEMALE PINS AND MODULAR JACK PINS HAVE 50µIN. (1.25 MICRONS) GOLD PLATING.
2. MOLDED ABS HOUSING IS DARK GRAY.
3. SCREW HARDWARE IS NICKEL PLATED STEEL.
4. IF HEX STANDOFFS ARE REQUIRED, ORDER SEPERATELY (L-COM MODEL SDH SOLD IN PACKAGE OF 50 STANDOFFS).

UNLESS OTHERWISE SPECIFIED, DIMENSIONS ARE IN INCHES [mm] OVERALL CABLE LENGTH TOLERANCE: ≤12 [305] = +1 [25] / -0 >12 [305] ≤60 [1524] = +2 [51] / -0 >60 [1524] ≤120 [3048] = +4 [102] / -0 >120 [3048] ≤300 [7620] = +6 [152] / -0 >300 [7620] = +3% / -0%	APPROVALS	DATE	 45 BEECHWOOD DRIVE NORTH ANDOVER, MA 01845
	DRAWN BY TJC	3/29/96	
ALL OTHER DIMENSIONAL TOLERANCES: .X = ±.2 .XX = ±.02 .XXX = ±.005	CHECKED BY AFC	4/2/96	PRODUCT DESCRIPTION ADAPTOR KIT, DB25F/RJ45 JACK
	APPROVED BY ENG	4/29/96	
PROJECTION 	CONFIGURATION DETAILS OF UNDIMENSIONED FEATURES MAY VARY		SCALE: NONE CAD FILE: REC258F.SLDDRW SHEET 1 OF 1
COLOR VARIATIONS MAY OCCUR			