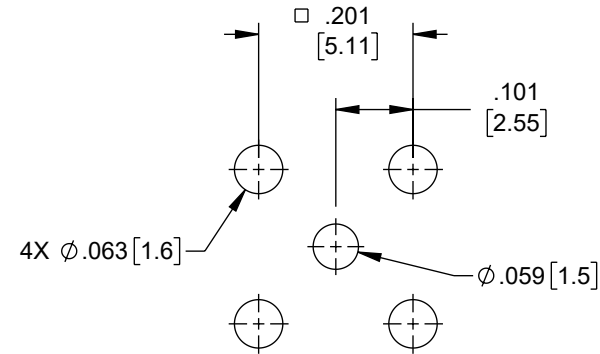
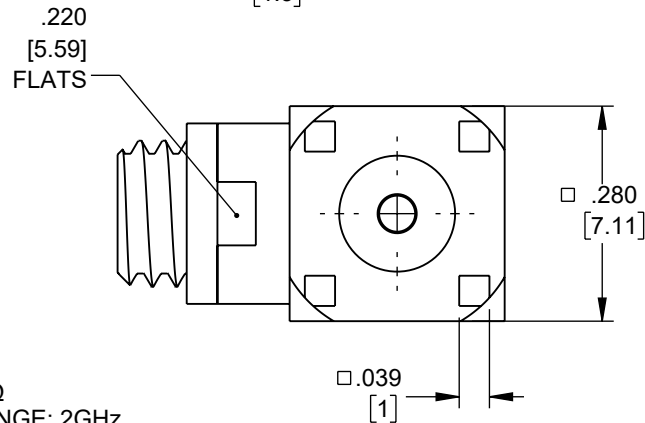
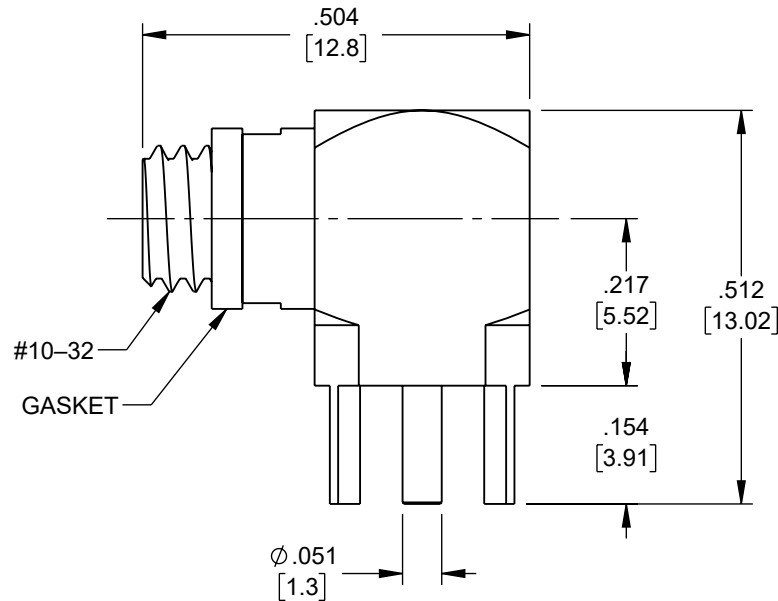


THE INFORMATION CONTAINED IN THIS DRAWING IS THE SOLE PROPERTY OF L-COM, INC. ANY REPRODUCTION IN PART OR WHOLE WITHOUT THE WRITTEN PERMISSION OF L-COM, INC. IS PROHIBITED.

REVISION					
ZONE	REV	DESCRIPTION	DATE	CHANGED BY	APPROVED
	A	INITIAL RELEASE	02/22/2023	SREITER	AGANWANI



RECOMMENDED  
MTG HOLE PATTERN

NOTES:

ELECTRICAL DATA:

1. IMPEDANCE: 75Ω
2. FREQUENCY RANGE: 2GHz
3. VSWR: 1.35:1

MECHANICAL:

1. BODY: BRASS, NICKEL PLATED
2. CONTACT: BERYLLIUM COPPER, GOLD PLATED
3. INSULATION: PTFE

ALL DIMENSIONS FOR REFERENCE ONLY.

REGULATORY COMPLIANCE:

EU RoHS DIRECTIVE (MOST RECENT RELEASED VERSION)

<p>UNLESS OTHERWISE SPECIFIED, DIMENSIONS ARE IN INCHES [mm]</p> <p>OVERALL CABLE LENGTH TOLERANCE:          ≤12 [305] = +1 [25] / -0          &gt;12 [305] ≤60 [1524] = +2 [51] / -0          &gt;60 [1524] ≤120 [3048] = +4 [102] / -0          &gt;120 [3048] ≤300 [7620] = +6 [152] / -0          &gt;300 [7620] = +5% / -0</p> <p>ALL OTHER DIMENSIONAL TOLERANCES:          .X = ± .2 [5]   FRACTIONS ± 1/32          .XX = ± .02 [5]   ANGLES ± 1°          .XXX = ± .005 [1.3]</p> <p>THIRD-ANGLE PROJECTION</p>	<p>APPROVALS</p> <p>DATE</p>	<p><b>L-com</b> an INFINITI® brand</p> <p>50 High Street, West Mill, North Andover, MA 01845 USA. Phone: 1.800.341.5266 1.978.682.6936</p>	
	<p>DRAWN BY SREITER</p> <p>CHECKED BY DWANG</p> <p>APPROVED BY AGANWANI</p>		<p>02/22/2023</p> <p>03/29/2023</p> <p>03/29/2023</p>
	<p>PRODUCT DESCRIPTION</p> <p>10-32 FEMALE RIGHT ANGLE CONNECTOR SOLDER ATTACHMENT THRU HOLE PCB, .200 INCH X .067 INCH HOLE SPACING</p>		
	<p>SCALE: NONE</p> <p>CAD FILE: RFPCB-10-32-FR-2G-76.SLDDRW</p> <p>SHEET 1 OF 1</p>		