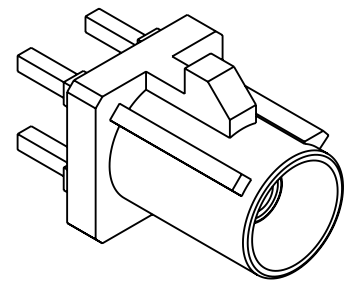


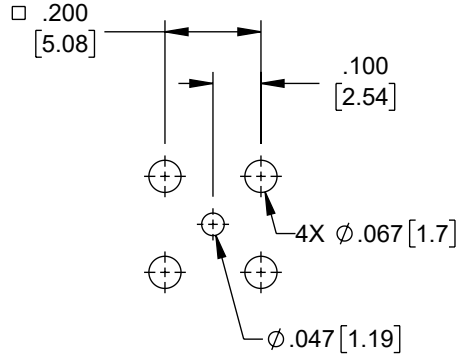
THE INFORMATION CONTAINED IN THIS DRAWING IS THE SOLE PROPERTY OF L-COM, INC. ANY REPRODUCTION IN PART OR WHOLE WITHOUT THE WRITTEN PERMISSION OF L-COM, INC. IS PROHIBITED.

REVISION					
ZONE	REV	DESCRIPTION	DATE	CHANGED BY	APPROVED
	A	INITIAL RELEASE	03/15/2023	SREITER	AGANWANI

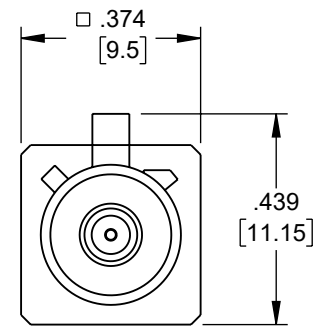
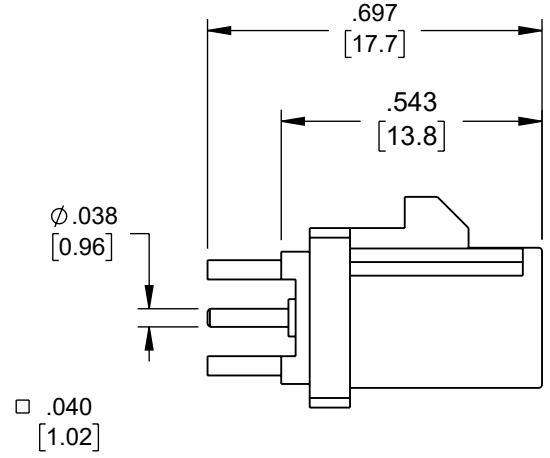
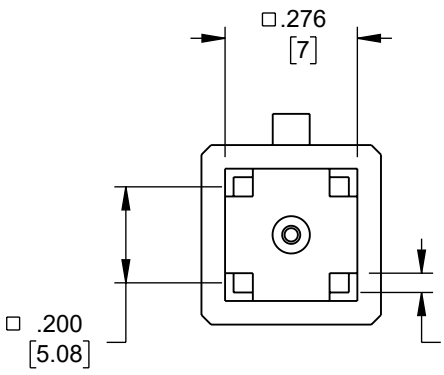
CODING	JACK	COLOR
89		BLACK
90		WHITE
91		BLUE
92		BORDEAUX
93		VIOLET
94		BEIGE
95		CURRY
96		WATER BLUE



CODING 89 SHOWN



RECOMMENDED MTG HOLE PATTERN



NOTES:

ELECTRICAL DATA:

1. IMPEDANCE: 50Ω
2. FREQUENCY RANGE: 4GHz
3. VSWR: 1.3:1

MECHANICAL:

1. BODY: PLASTIC
2. CONTACT: PHOSPHOR BRONZE, GOLD PLATED
3. INSULATION: PTFE

ALL DIMENSIONS FOR REFERENCE ONLY.

REGULATORY COMPLIANCE:

EU RoHS DIRECTIVE (MOST RECENT RELEASED VERSION)

UNLESS OTHERWISE SPECIFIED, DIMENSIONS ARE IN INCHES [mm] OVERALL CABLE LENGTH TOLERANCE: ≤12 [305] = +1 [25] / -0 >12 [305] ≤60 [1524] = +2 [51] / -0 >60 [1524] ≤120 [3048] = +4 [102] / -0 >120 [3048] ≤300 [7620] = +6 [152] / -0 >300 [7620] = +5% / -0 ALL OTHER DIMENSIONAL TOLERANCES: .X = ± .2 [5]   FRACTIONS ± 1/32 .XX = ± .02 [5]   ANGLES ± 1° .XXX = ± .005 [1.3]	APPROVALS SREITER	DATE 03/15/2023	50 High Street, West Mill, North Andover, MA 01845 USA. Phone: 1.800.341.5266 1.978.682.6936
	DRAWN BY DWANG	CHECKED BY AGANWANI	
THIRD-ANGLE PROJECTION 	CONFIGURATION DETAILS OF UNDIMENSIONED FEATURES MAY VARY	COLOR VARIATIONS MAY OCCUR	CATEGORY <b>PCB CONNECTOR</b>
	PRODUCT DESCRIPTION FAKRA PLUG CONNECTOR SOLDER ATTACHMENT THRU HOLE PCB, BLACK COLOR	SIZE <b>A</b>	CAGE CODE <b>43321</b>
	ITEM NO. <b>RFPCB-FAKRA-MS-4G-89</b>	REV. <b>A</b>	SCALE: NONE   CAD FILE: RFPCB-FAKRA-MS-4G-89.SLDDRW   SHEET 1 OF 1