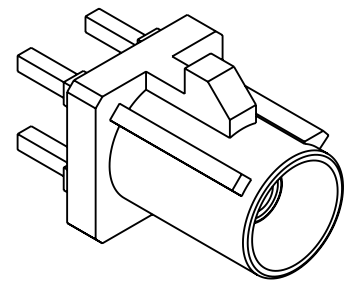


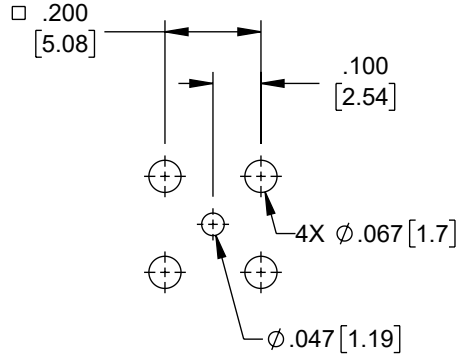
THE INFORMATION CONTAINED IN THIS DRAWING IS THE SOLE PROPERTY OF L-COM, INC. ANY REPRODUCTION IN PART OR WHOLE WITHOUT THE WRITTEN PERMISSION OF L-COM, INC. IS PROHIBITED.

REVISION					
ZONE	REV	DESCRIPTION	DATE	CHANGED BY	APPROVED
	A	INITIAL RELEASE	03/15/2023	SREITER	AGANWANI

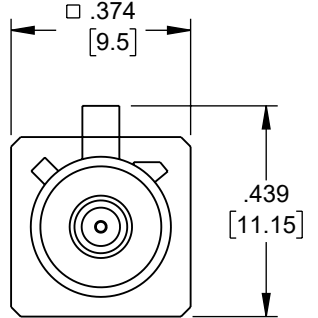
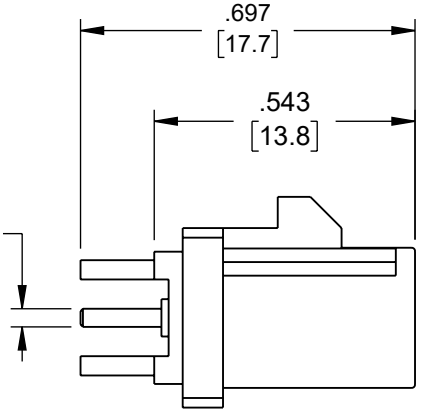
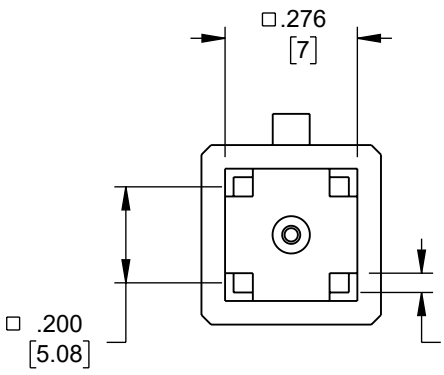
CODING	JACK	COLOR
89		BLACK
90		WHITE
91		BLUE
92		BORDEAUX
93		VIOLET
94		BEIGE
95		CURRY
96		WATER BLUE



CODING 89 SHOWN



RECOMMENDED MTG HOLE PATTERN



NOTES:

- ELECTRICAL DATA:  
 1. IMPEDANCE: 50Ω  
 2. FREQUENCY RANGE: 4GHz  
 3. VSWR: 1.3:1

- MECHANICAL:  
 1. BODY: PLASTIC  
 2. CONTACT: PHOSPHOR BRONZE, GOLD PLATED  
 3. INSULATION: PTFE

ALL DIMENSIONS FOR REFERENCE ONLY.

REGULATORY COMPLIANCE:  
 EU RoHS DIRECTIVE (MOST RECENT RELEASED VERSION)

UNLESS OTHERWISE SPECIFIED, DIMENSIONS ARE IN INCHES [mm]  OVERALL CABLE LENGTH TOLERANCE: ≤12 [305] = +1 [25] / -0 >12 [305] ≤60 [1524] = +2 [51] / -0 >60 [1524] ≤120 [3048] = +4 [102] / -0 >120 [3048] ≤300 [7620] = +6 [152] / -0 >300 [7620] = +5% / -0  ALL OTHER DIMENSIONAL TOLERANCES: .X = ± .2 [5]   FRACTIONS ± 1/32 .XX = ± .02 [5]   ANGLES ± 1° .XXX = ± .005 [1.3]	APPROVALS	DATE	 50 High Street, West Mill, North Andover, MA 01845 USA. Phone: 1.800.341.5266 1.978.682.6936
	DRAWN BY SREITER	03/15/2023	
THIRD-ANGLE PROJECTION 	CHECKED BY DWANG	03/29/2023	CATEGORY  <b>PCB CONNECTOR</b>
	APPROVED BY AGANWANI	03/29/2023	
CONFIGURATION DETAILS OF UNDIMENSIONED FEATURES MAY VARY	PRODUCT DESCRIPTION FAKRA PLUG CONNECTOR SOLDER ATTACHMENT THRU HOLE PCB, WHITE COLOR		
COLOR VARIATIONS MAY OCCUR	SIZE <b>A</b>	CAGE CODE 43321	ITEM NO. RFPCB-FAKRA-MS-4G-90
	SCALE: NONE	CAD FILE: RFPCB-FAKRA-MS-4G-90.SLDDRW	SHEET 1 OF 1