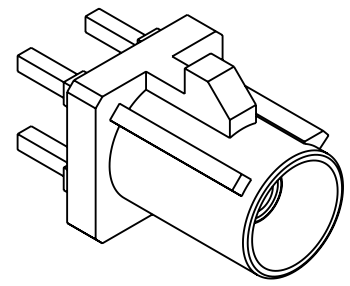


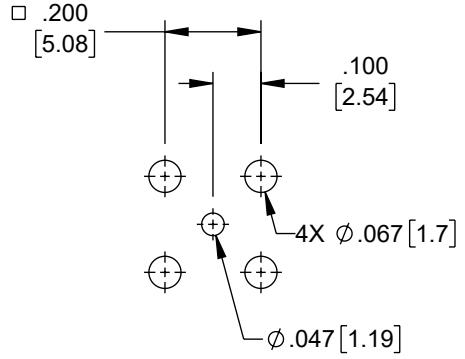
THE INFORMATION CONTAINED IN THIS DRAWING IS THE SOLE PROPERTY OF L-COM, INC. ANY REPRODUCTION IN PART OR WHOLE WITHOUT THE WRITTEN PERMISSION OF L-COM, INC. IS PROHIBITED.

| REVISION |     |                 |            |            |          |
|----------|-----|-----------------|------------|------------|----------|
| ZONE     | REV | DESCRIPTION     | DATE       | CHANGED BY | APPROVED |
|          | A   | INITIAL RELEASE | 03/15/2023 | SREITER    | AGANWANI |

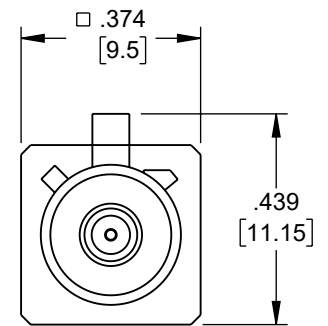
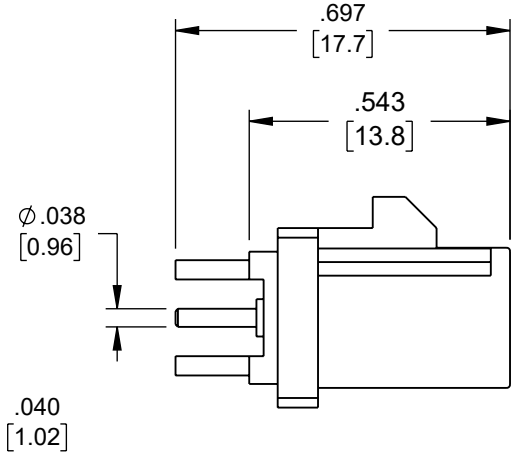
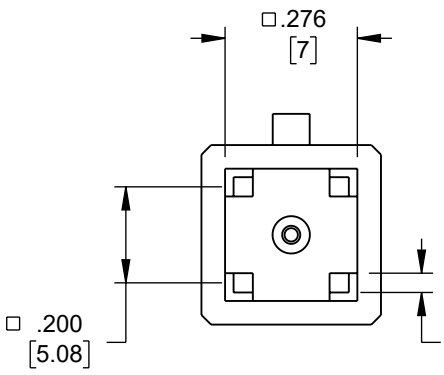
| CODING | JACK | COLOR      |
|--------|------|------------|
| 89     |      | BLACK      |
| 90     |      | WHITE      |
| 91     |      | BLUE       |
| 92     |      | BORDEAUX   |
| 93     |      | VIOLET     |
| 94     |      | BEIGE      |
| 95     |      | CURRY      |
| 96     |      | WATER BLUE |



CODING 89 SHOWN



RECOMMENDED MTG HOLE PATTERN



NOTES:

- ELECTRICAL DATA:  
 1. IMPEDANCE: 50Ω  
 2. FREQUENCY RANGE: 4GHz  
 3. VSWR: 1.3:1

- MECHANICAL:  
 1. BODY: PLASTIC  
 2. CONTACT: PHOSPHOR BRONZE, GOLD PLATED  
 3. INSULATION: PTFE

ALL DIMENSIONS FOR REFERENCE ONLY.

REGULATORY COMPLIANCE:  
 EU RoHS DIRECTIVE (MOST RECENT RELEASED VERSION)

|   |  |                                  |   |
|---|--|----------------------------------|---|
| UNLESS OTHERWISE SPECIFIED, DIMENSIONS ARE IN INCHES [mm]<br>OVERALL CABLE LENGTH TOLERANCE:<br>≤12 [305] = +1 [25] / -0<br>>12 [305] ≤60 [1524] = +2 [51] / -0<br>>60 [1524] ≤120 [3048] = +4 [102] / -0<br>>120 [3048] ≤300 [7620] = +6 [152] / -0<br>>300 [7620] = +5% / -0<br>ALL OTHER DIMENSIONAL TOLERANCES:<br>.X = ± .2 [5]   FRACTIONS ± 1/32<br>.XX = ± .02 [5]   ANGLES ± 1°<br>.XXX = ± .005 [1.3] | APPROVALS  | DATE                             | <br>50 High Street, West Mill,<br>North Andover, MA 01845 USA.<br>Phone: 1.800.341.5266<br>1.978.682.6936 |
|   | DRAWN BY<br>SREITER                                      | 03/15/2023                       |   |
|   | CHECKED BY<br>DWANG                                      | 03/29/2023                       | CATEGORY  |
|   | APPROVED BY<br>AGANWANI                                  | 03/29/2023                       | PCB CONNECTOR   |
| THIRD-ANGLE PROJECTION  | CONFIGURATION DETAILS OF UNDIMENSIONED FEATURES MAY VARY | PRODUCT DESCRIPTION              | FAKRA PLUG CONNECTOR SOLDER ATTACHMENT THRU HOLE PCB, CURRY COLOR   |
|   | COLOR VARIATIONS MAY OCCUR                               | SIZE<br>A                        | CAGE CODE<br>43321  |
|   |  | ITEM NO.<br>RFPCB-FAKRA-MS-4G-95 | REV.<br>A   |
|   |  | SCALE: NONE                      | CAD FILE: RFPCB-FAKRA-MS-4G-95.SLDDRW   |
|   |  |                                  | SHEET 1 OF 1  |