

THE INFORMATION CONTAINED IN THIS DRAWING IS THE SOLE PROPERTY OF L-COM, INC. ANY REPRODUCTION IN PART OR WHOLE WITHOUT THE WRITTEN PERMISSION OF L-COM, INC. IS PROHIBITED.

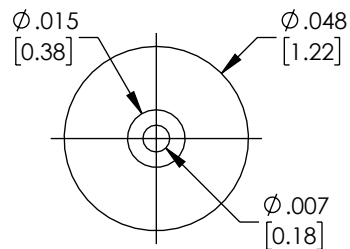
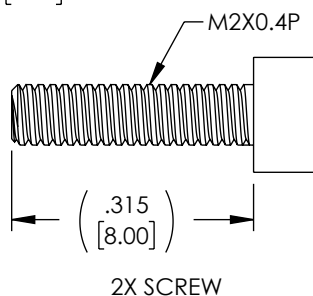
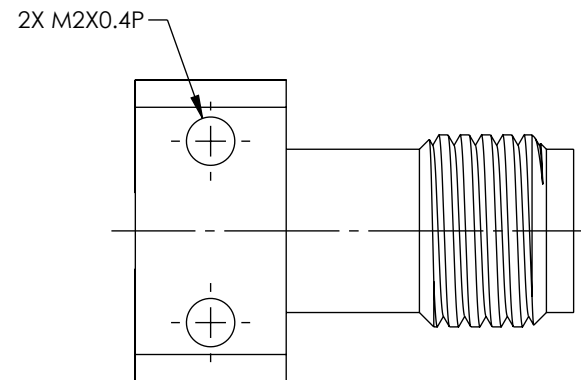
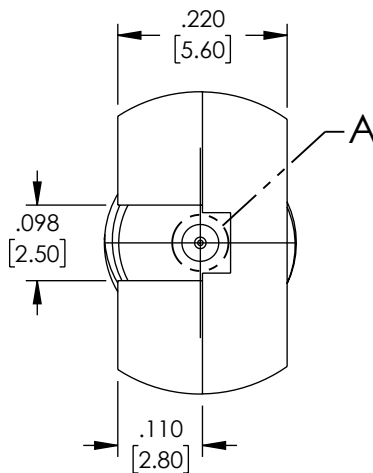
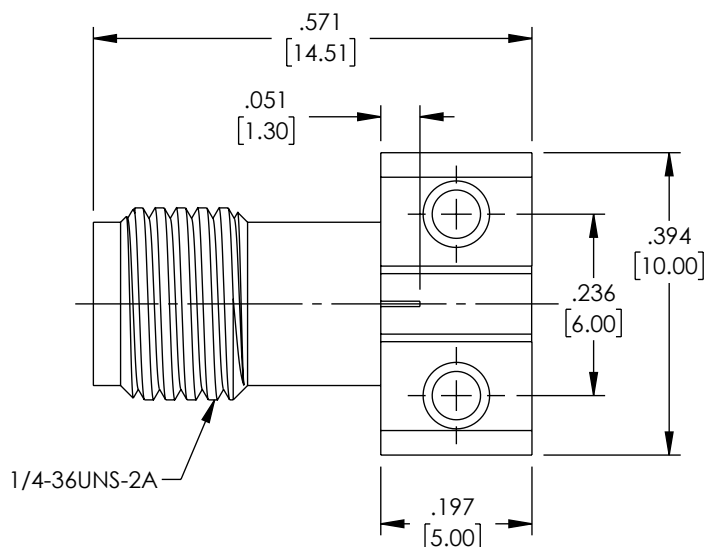
REVISION					
ZONE	REV	DESCRIPTION	DATE	CHANGED BY	APPROVED
	A	INITIAL RELEASE	03/06/2023	DMAY	AGANWANI

D

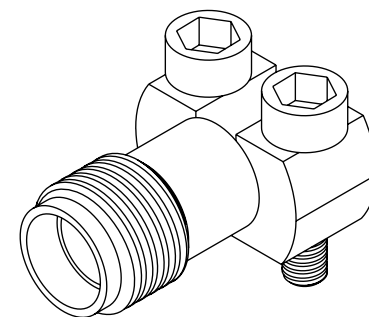
C

B

A



DETAIL A  
SCALE 20:1



**MATERIAL & FINISH:**

1. BODY: BRASS, GOLD PLATED
2. CENTER CONTACT: BERYLLIUM COPPER ALLOY, GOLD PLATED
3. INSULATOR: PTFE

**ELECTRICAL DATA:**

1. IMPEDANCE: 50 OHMS
2. FREQUENCY RANGE: DC~18 GHz


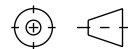
**ENVIRONMENTAL DATA:**

1. OPERATING TEMPERATURE: -55 °C~+125 °C
2. 1907/2006/EC(REACH) AND 1999/45/EC(REACH): COMPLIANT

COMPONENT SHALL BE INDIVIDUALLY PACKAGED IN ACCORDANCE WITH L-COM SPECIFICATION PS-0031.

**REGULATORY COMPLIANCE:**

EU RoHS DIRECTIVE (MOST RECENT RELEASED VERSION)

UNLESS OTHERWISE SPECIFIED, DIMENSIONS ARE IN INCHES [mm] OVERALL CABLE LENGTH TOLERANCE: ≤12 [305] = +1 [25] / -0 >12 [305] ≤60 [1524] = +2 [51] / -0 >60 [1524] ≤120 [3048] = +4 [102] / -0 >120 [3048] ≤300 [7620] = +6 [152] / -0 >300 [7620] = +5% / -0 ALL OTHER DIMENSIONAL TOLERANCES: .X = ± .2 [5]   FRACTIONS ± 1/32 .XX = ± .02 [5]   ANGLES ± 1° .XXX = ± .005 [13]	APPROVALS	DATE	 50 High Street, West Mill, North Andover, MA 01845 USA. Phone: 1.800.341.5266 1.978.682.6936
	DRAWN BY DMAY	03/06/2023	
	CHECKED BY HBAKKE	03/07/2023	CATEGORY
	APPROVED BY AGANWANI	03/07/2023	RF INTERCONNECTS
THIRD-ANGLE PROJECTION	CONFIGURATION DETAILS OF UNDIMENSIONED FEATURES MAY VARY	PRODUCT DESCRIPTION	
	COLOR VARIATIONS MAY OCCUR	RF PCB CONNECTOR, SMA, FEMALE, UP TO 18 GHz, END LAUNCH, STRAIGHT	
	SIZE A	CAGE CODE 43321	ITEM NO. RFPCB-SMA-FS18G-52
	SCALE: NONE	CAD FILE: RFPCB-SMA-FS18G-52.SLDDRW	SHEET 1 OF 1