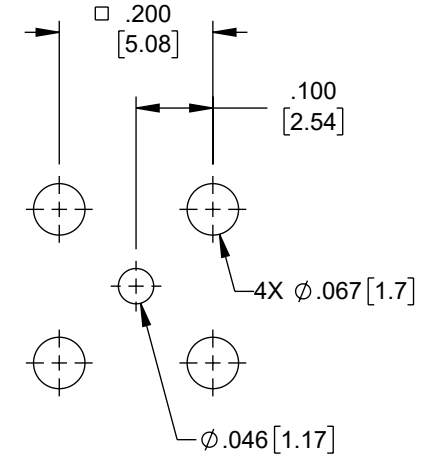
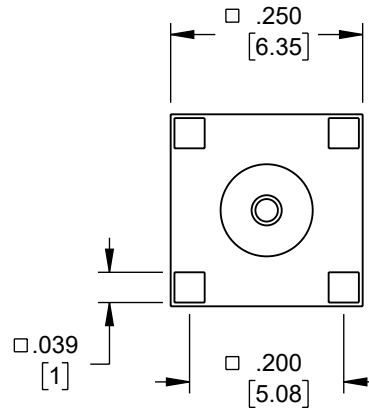
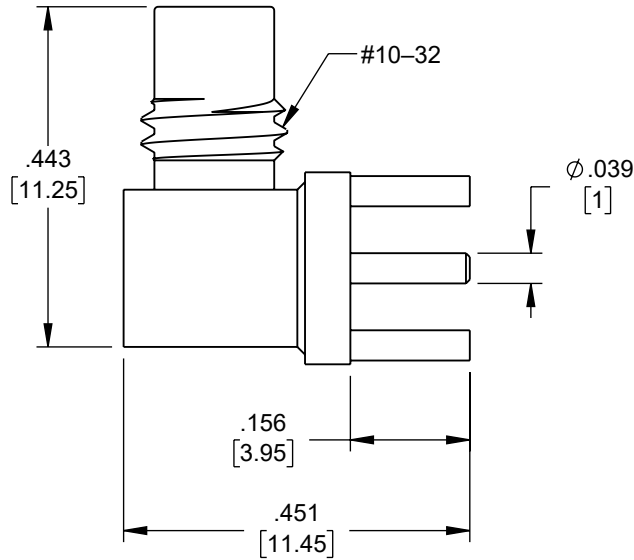


THE INFORMATION CONTAINED IN THIS DRAWING IS THE SOLE PROPERTY OF L-COM, INC. ANY REPRODUCTION IN PART OR WHOLE WITHOUT THE WRITTEN PERMISSION OF L-COM, INC. IS PROHIBITED.

| REVISION | | | | | |
|----------|-----|-----------------|------------|------------|----------|
| ZONE | REV | DESCRIPTION | DATE | CHANGED BY | APPROVED |
| | A | INITIAL RELEASE | 03/02/2023 | SREITER | AGANWANI |



RECOMMENDED
MTG HOLE PATTERN

NOTES:

ELECTRICAL DATA:

1. IMPEDANCE: 50Ω
2. FREQUENCY RANGE: DC TO 10GHz
3. VSWR: 1.5:1


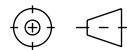
MECHANICAL:

1. BODY: BRASS, GOLD PLATED
2. CONTACT: BRASS, GOLD PLATED
3. INSULATION: PTFE

ALL DIMENSIONS FOR REFERENCE ONLY.

REGULATORY COMPLIANCE:

EU RoHS DIRECTIVE (MOST RECENT RELEASED VERSION)

| | | | | | |
|---|--|----------------------------------|---|---|------------------|
| UNLESS OTHERWISE SPECIFIED, DIMENSIONS ARE IN INCHES [mm] OVERALL CABLE LENGTH TOLERANCE: ≤12 [305] = +1 [25] / -0 >12 [305] ≤60 [1524] = +2 [51] / -0 >60 [1524] ≤120 [3048] = +4 [102] / -0 >120 [3048] ≤300 [7620] = +6 [152] / -0 >300 [7620] = +5% / -0 ALL OTHER DIMENSIONAL TOLERANCES: .X = ± .2 [5] FRACTIONS ± 1/32 .XX = ± .02 [.5] ANGLES ± 1° .XXX = ± .005 [.13] | APPROVALS | DATE |  50 High Street, West Mill, North Andover, MA 01845 USA. Phone: 1.800.341.5266 1.978.682.6936 | | |
| | DRAWN BY SREITER | 03/02/2023 | | CHECKED BY DWANG | 03/30/2023 |
| APPROVED BY AGANWANI | 03/30/2023 | CATEGORY PCB CONNECTOR | | | |
| CONFIGURATION DETAILS OF UNDIMENSIONED FEATURES MAY VARY | PRODUCT DESCRIPTION SMC JACK RIGHT ANGLE CONNECTOR SOLDER ATTACHMENT THRU HOLE PCB, .200 INCH X .067 INCH HOLE SPACING | | | | |
| THIRD-ANGLE PROJECTION  | COLOR VARIATIONS MAY OCCUR | SIZE A | CAGE CODE 43321 | ITEM NO. RFPCB-SMC-FR-10G-186 | REV. A |
| | | SCALE: NONE | CAD FILE: RFPCB-SMC-FR-10G-186.SLDDRW | SHEET 1 OF 1 | |