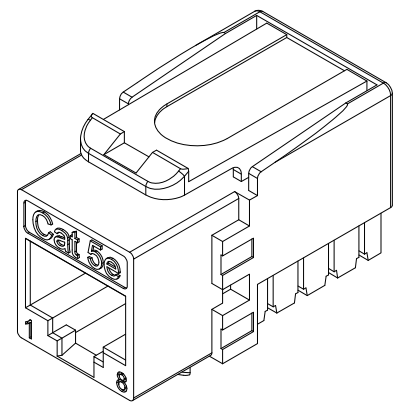
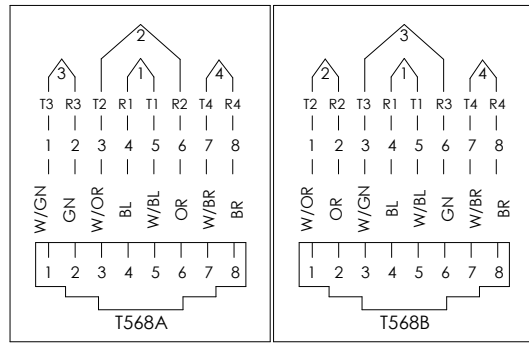
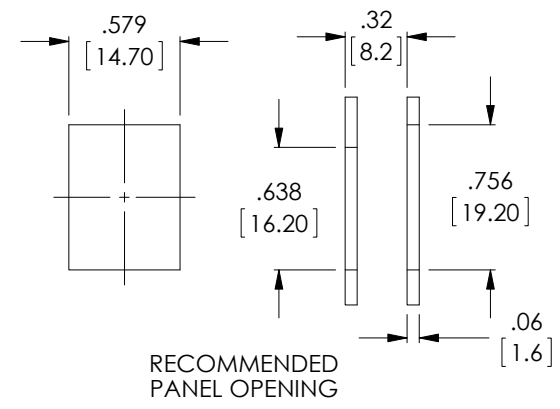
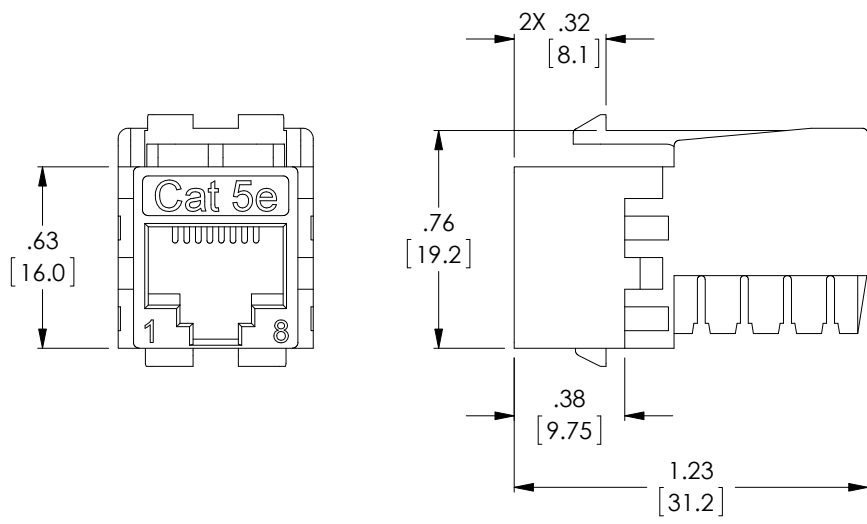


THE INFORMATION CONTAINED IN THIS DRAWING IS THE SOLE PROPERTY OF L-COM, INC. ANY REPRODUCTION IN PART OR WHOLE WITHOUT THE WRITTEN PERMISSION OF L-COM, INC. IS PROHIBITED.



REVISIONS			
REV	DESCRIPTION	DATE	APPROVED
A	INITIAL RELEASE	10/14/11	D.GRIFFIN
B	ECN 6881: ADDED INCHES. UPDATED 3D MODEL AND COMPLIANCE NOTE	6/10/13	D_DESJARDIN



NOTES:

MATERIAL:
HIGH-IMPACT UL94V-0 THERMOPLASTIC.
COLOR: WHITE

PHYSICAL CHARACTERISTICS:
CONTACT COMPATIBILITY : ACCOMMODATES 22 TO 24 AWG SOLID.
OPERATING TEMPERATURE RANGE : -10 °C TO 60 °C.
RATING: CATEGORY 5E

COMPONENT SHALL BE BULK PACKAGED IN QUANTITIES OF 25
IN ACCORDANCE WITH L-COM SPECIFICATION PS-0031.

ALL DIMENSIONS ARE FOR REFERENCE ONLY.

REGULATORY COMPLIANCE:
ROHS, CE

UNLESS OTHERWISE SPECIFIED, DIMENSIONS ARE IN INCHES [mm] OVERALL CABLE LENGTH TOLERANCE: ≤12 [305] = +1 [25] / -0 >12 [305] ≤60 [1524] = +2 [51] / -0 >60 [1524] ≤120 [3048] = +4 [102] / -0 >120 [3048] ≤300 [7620] = +6 [152] / -0 >300 [7620] = +5% / -0% ALL OTHER DIMENSIONAL TOLERANCES: .X = ±.2 [5.08] .XX = ±.02 [51] .XXX = ±.005 [13]	APPROVALS DRAWN BY D.FRISIELLO	DATE 10/12/11		45 BEECHWOOD DRIVE NORTH ANDOVER, MA 01845		
	CHECKED BY D.GUITADAURO	DATE 10/12/11		CATEGORY TELECOM/MODULAR		
	APPROVED BY D.GALLAGHER	DATE 10/12/11	PRODUCT DESCRIPTION EJCK C5E RJ45/110 90 WHT			
	PROJECTION 	CONFIGURATION DETAILS OF UNDIMENSIONED FEATURES MAY VARY	COLOR VARIATIONS MAY OCCUR	SIZE A	FSCM NO. 43321	DWG. NO. RJE110C5E90-PK
SCALE: NONE			CAD FILE: RJE110C5E90-PK.SLDDRW		SHEET 1 OF 1	