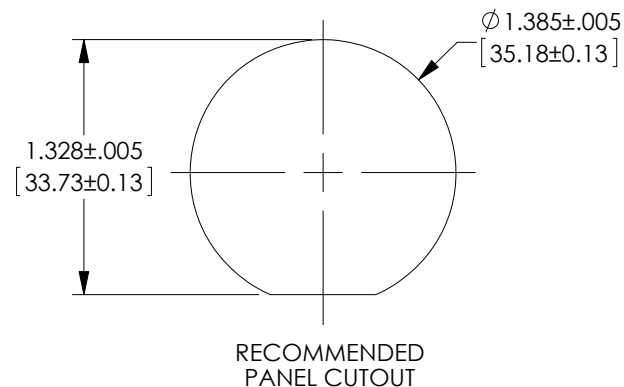
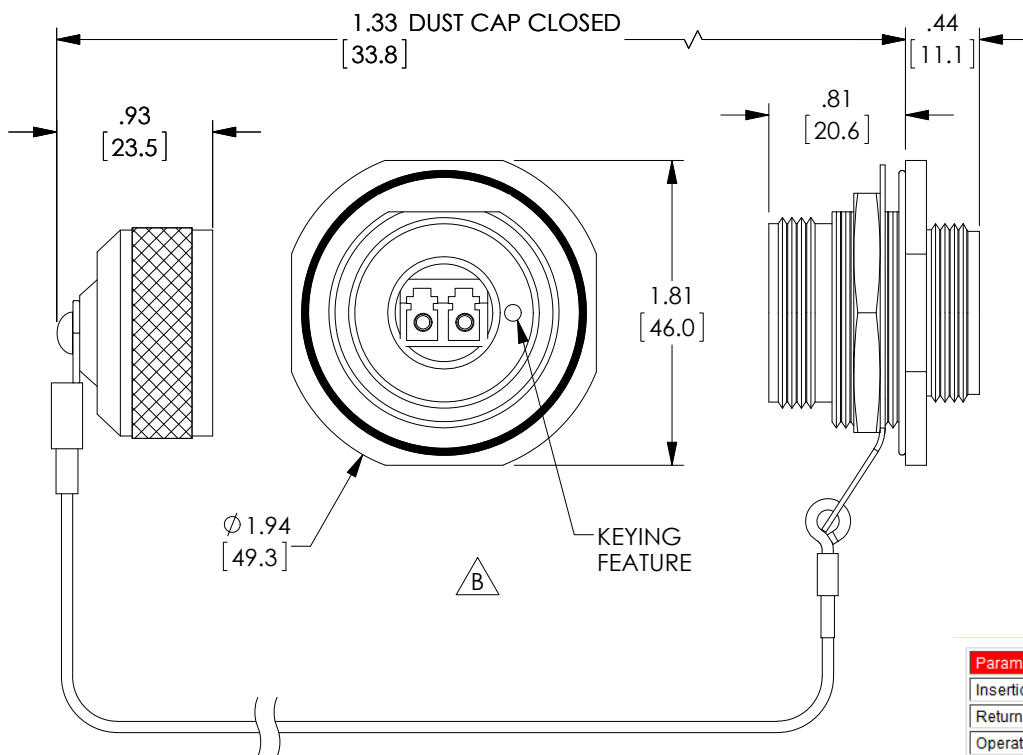


THE INFORMATION CONTAINED IN THIS DRAWING IS THE SOLE PROPERTY OF L-COM, INC. ANY REPRODUCTION IN PART OR WHOLE WITHOUT THE WRITTEN PERMISSION OF L-COM, INC. IS PROHIBITED.

REVISIONS			
REV	DESCRIPTION	DATE	APPROVED
A	INITIAL RELEASE	6/8/17	D.FRISIELLO
B	ECN 8871: REVISED 3D MODEL	8/11/17	D.FRISIELLO



MODEL NUMBER	LC TYPE
RLRJ121LC01A	DUPLEX, BEIGE
RLRJ121LC02B	DUPLEX, BLUE
RLRJ121LC02E	DUPLEX, GREEN

**NOTES:**

- MATERIAL:**  
EXTERNAL PARTS: ALUMINUM/BLACK ANODIZE  
ADAPTER HOUSING: THERMOPLASTIC  
MISC. HARDWARE: STAINLESS STEEL  
SEALS: SILICONE / NITRILE  
LANYARD: STAINLESS STEEL (NYLON COAT)
- RATING:** IP-68
- ALL DIMENSIONS ARE FOR REFERENCE ONLY.**
- COMPONENT SHALL BE INDIVIDUALLY PACKAGED IN ACCORDANCE WITH L-COM SPECIFICATION LSP-010-1**

Parameter	Specification	Performance
Insertion Loss (IL) (UPC)	EIA/TIA-455-171	0.25dB - Typical, 0.50dB - Maximum
Return Loss (RL) (UPC)	EIA/TIA-455-107A	Minimum 0.50dB
Operational Temperature	EIA/TIA-455-5C	-40°C to +85°C
Storage Temperature	EIA/TIA-455-5C	-40°C to +85°C
Temperature Humidity Cycling	EIA/TIA-455-5C	-40°C to +71°C at 95% RH, 240 hrs.
Dust Test	IEC 60529 IP68	8 hrs dust exposure with 20 mbar
Water Submersion	IEC 60529 IP68	48 hrs. immersion/1 meter water
Cable Retention <sup>1</sup>	EIA/TIA-455-6	400 lbs. for 10 minutes
Mating Durability	EIA/TIA-455-21	500 cycles
Impact	EIA/TIA-455-2C	8 drops, 2.4 meters
Vibration	EIA/TIA-455-11	10-55Hz, 2 hr./axis, 3 axis
Mechanical Shock	EIA/TIA-455-14A	Condition C, 5 shocks/axis
Crush	EIA/TIA-455-26A	450 lbs.

UNLESS OTHERWISE SPECIFIED, DIMENSIONS ARE IN INCHES [mm] OVERALL CABLE LENGTH TOLERANCE: <math>\le 12 [305] = +1 [25] / -0</math> <math>>12 [305] \le 60 [1524] = +2 [51] / -0</math> <math>>60 [1524] \le 120 [3048] = +4 [102] / -0</math> <math>>120 [3048] \le 300 [7620] = +6 [152] / -0</math> <math>>300 [7620] = +5\% / -0\%</math> ALL OTHER DIMENSIONAL TOLERANCES: <math>.X = \pm .2 [5.08]</math> <math>.XX = \pm .02 [.51]</math> <math>.XXX = \pm .005 [.13]</math>	APPROVALS	DATE		50 HIGH STREET NORTH ANDOVER, MA 01845			
	DRAWN BY D.FRISIELLO	6/7/17		CATEGORY <b>FIBER OPTICS</b>			
PROJECTION 	CONFIGURATION DETAILS OF UNDIMENSIONED FEATURES MAY VARY	PRODUCT DESCRIPTION <b>LC IP68 RCPT D38999 DCAP</b>	<table border="1"> <tr> <td>SIZE <b>A</b></td> <td>FSCM NO. <b>43321</b></td> <td>DWG. NO. <b>RLRJ121L</b></td> <td>REV. <b>B</b></td> </tr> </table>	SIZE <b>A</b>	FSCM NO. <b>43321</b>	DWG. NO. <b>RLRJ121L</b>	REV. <b>B</b>
SIZE <b>A</b>	FSCM NO. <b>43321</b>	DWG. NO. <b>RLRJ121L</b>	REV. <b>B</b>				
COLOR VARIATIONS MAY OCCUR	SCALE: NONE	CAD FILE: RLRJ121L.SLDDRW	SHEET 1 OF 1				