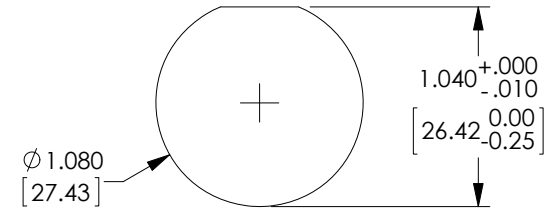
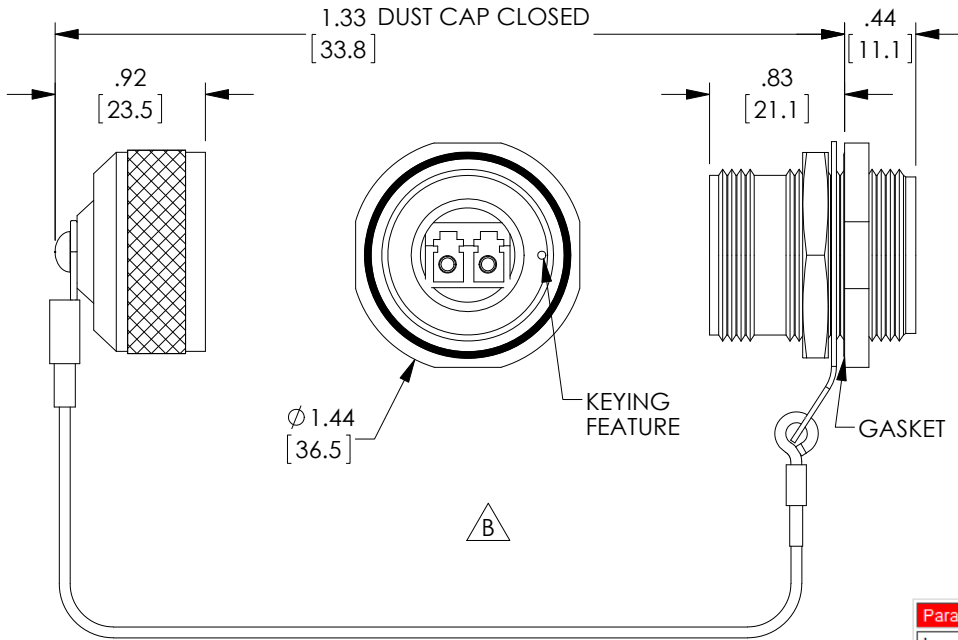


THE INFORMATION CONTAINED IN THIS DRAWING IS THE SOLE PROPERTY OF L-COM, INC. ANY REPRODUCTION IN PART OR WHOLE WITHOUT THE WRITTEN PERMISSION OF L-COM, INC. IS PROHIBITED.

REVISIONS			
REV	DESCRIPTION	DATE	APPROVED
A	INITIAL RELEASE	6/8/17	D.FRISIELLO
B	ECN 8871: REVISED 3D MODEL	8/10/17	D.FRISIELLO



RECOMMENDED
PANEL CUTOUT
PANEL THICKNESS: .062"/.188"

MODEL NUMBER	LC TYPE
RLRK121LC01A	DUPLEX, BEIGE
RLRK121LC02B	DUPLEX, BLUE
RLRK121LC02E	DUPLEX, GREEN

Parameter	Specification	Performance
Insertion Loss (IL) (UPC)	EIA/TIA-455-171	0.25dB - Typical; 0.50dB - Maximum
Return Loss (RL) (UPC)	EIA/TIA-455-107A	Minimum 0.50dB
Operational Temperature	EIA/TIA-455-5C	-40°C to +85°C
Storage Temperature	EIA/TIA-455-5C	-40°C to +85°C
Temperature Humidity Cycling	EIA/TIA-455-5C	-40°C to +71°C at 95% RH, 240 hrs.
Dust Test	IEC 60529 IP68	8 hrs dust exposure with 20 mbar
Water Submersion	IEC 60529 IP68	48 hrs. immersion/1 meter water
Cable Retention ¹	EIA/TIA-455-6	400 lbs. for 10 minutes
Mating Durability	EIA/TIA-455-21	500 cycles
Impact	EIA/TIA-455-2C	8 drops, 2.4 meters
Vibration	EIA/TIA-455-11	10-55Hz, 2 hr/axis, 3 axis
Mechanical Shock	EIA/TIA-455-14A	Condition C, 5 shocks/axis
Crush	EIA/TIA-455-26A	450 lbs.

NOTES:

- MATERIAL:**
EXTERNAL PARTS: ALUMINUM/BLACK ANODIZE
ADAPTER HOUSING: THERMOPLASTIC
MISC. HARDWARE: STAINLESS STEEL
SEALS: SILICONE / NITRILE
LANYARD: STAINLESS STEEL (NYLON COAT)
- RATING: IP-68**
- ALL DIMENSIONS ARE FOR REFERENCE ONLY.**
- COMPONENT SHALL BE INDIVIDUALLY PACKAGED IN ACCORDANCE WITH L-COM SPECIFICATION LSP-010-1**

UNLESS OTHERWISE SPECIFIED, DIMENSIONS ARE IN INCHES [mm] OVERALL CABLE LENGTH TOLERANCE: ≤12 [305] = +1 [25] / -0 >12 [305] ≤60 [1524] = +2 [51] / -0 >60 [1524] ≤120 [3048] = +4 [102] / -0 >120 [3048] ≤300 [7620] = +6 [152] / -0 >300 [7620] = +5% / -0% ALL OTHER DIMENSIONAL TOLERANCES: .X = ± .2 [5.08] .XX = ± .02 [51] .XXX = ±.005 [1.27]	APPROVALS DRAWN BY D.FRISIELLO CHECKED BY M.MARTINEZ APPROVED BY D.GUITADAURO	DATE 6/7/17 6/8/17 6/8/17	50 HIGH STREET NORTH ANDOVER, MA 01845				
	CATEGORY FIBER OPTICS			PRODUCT DESCRIPTION LC IP68 RCPT JAM NUT MM DCAP			
	PROJECTION 	CONFIGURATION DETAILS OF UNDIMENSIONED FEATURES MAY VARY	COLOR VARIATIONS MAY OCCUR		SIZE A	FSCM NO. 43321	DWG. NO. RLRK121L
	SCALE: NONE		CAD FILE: RLRK121L.SLDDRW		SHEET 1 OF 1		