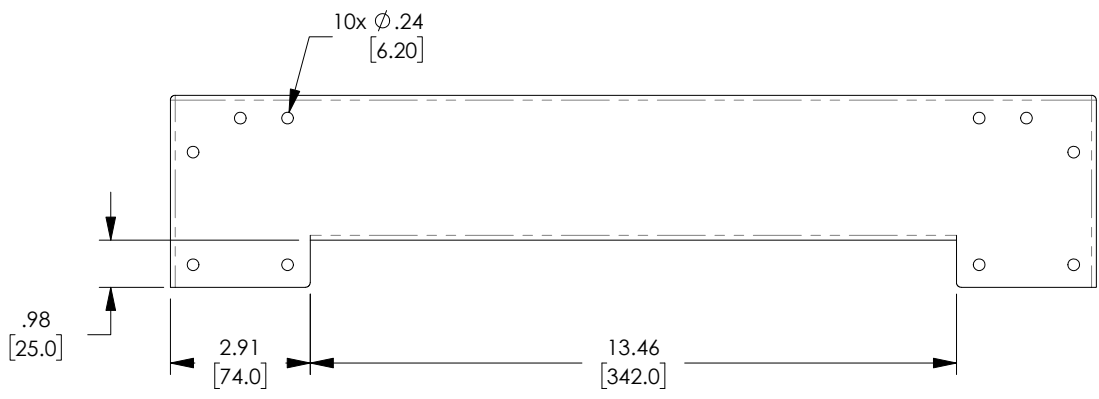
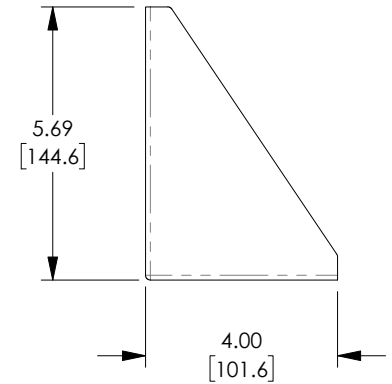
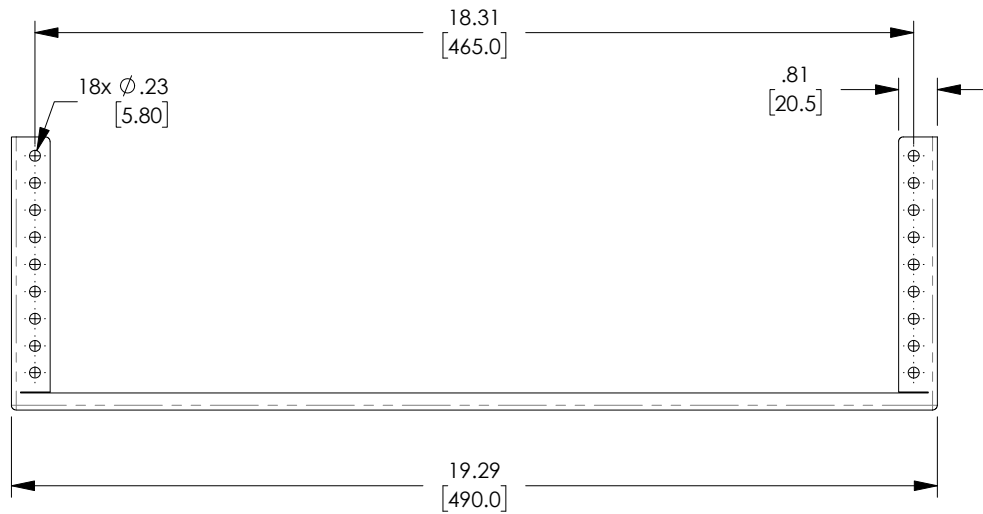


THE INFORMATION CONTAINED IN THIS DRAWING IS THE SOLE PROPERTY OF L-COM, INC. ANY REPRODUCTION IN PART OR WHOLE WITHOUT THE WRITTEN PERMISSION OF L-COM, INC. IS PROHIBITED.

REVISIONS			
REV	DESCRIPTION	DATE	APPROVED
A	REV A DRAWING RELEASED	11/26/2018	JYOU
B	ECN 9837: REVISE DRAWING DIMENSIONING AND FORMAT	05/02/2019	DFRISIELLO



NOTES:
1. ALL DIMENSIONS ARE FOR REFERENCE ONLY.

UNLESS OTHERWISE SPECIFIED, DIMENSIONS ARE IN INCHES [mm] OVERALL CABLE LENGTH TOLERANCE: ≤12 [305] = +1 [25] / -0 >12 [305] ≤60 [1524] = +2 [51] / -0 >60 [1524] ≤120 [3048] = +4 [102] / -0 >120 [3048] ≤300 [7620] = +6 [152] / -0 >300 [7620] = +5% / -0% ALL OTHER DIMENSIONAL TOLERANCES: .X = ±.2 [5.08] .XX = ±.02 [5.1] .XXX = ±.005 [1.3]	APPROVALS DRAWN BY JYOU CHECKED BY BGATES APPROVED BY BGATES	DATE 10/31/2018 10/31/2018 10/31/2018	50 HIGH STREET NORTH ANDOVER, MA 01845 CATEGORY 19" RACKS PRODUCT DESCRIPTION L-COM VERTICAL 19" WALL MOUNT RACK 3U
	CONFIGURATION DETAILS OF UNDIMENSIONED DETAILS MAY VARY COLOR VARIATIONS MAY OCCUR	SIZE A FSCM NO. 43321 DWG. NO. RP00002-3	

D
C
B
A

D
C
B
A

8 7 6 5 4 3 2 1

8 7 6 5 4 3 2 1