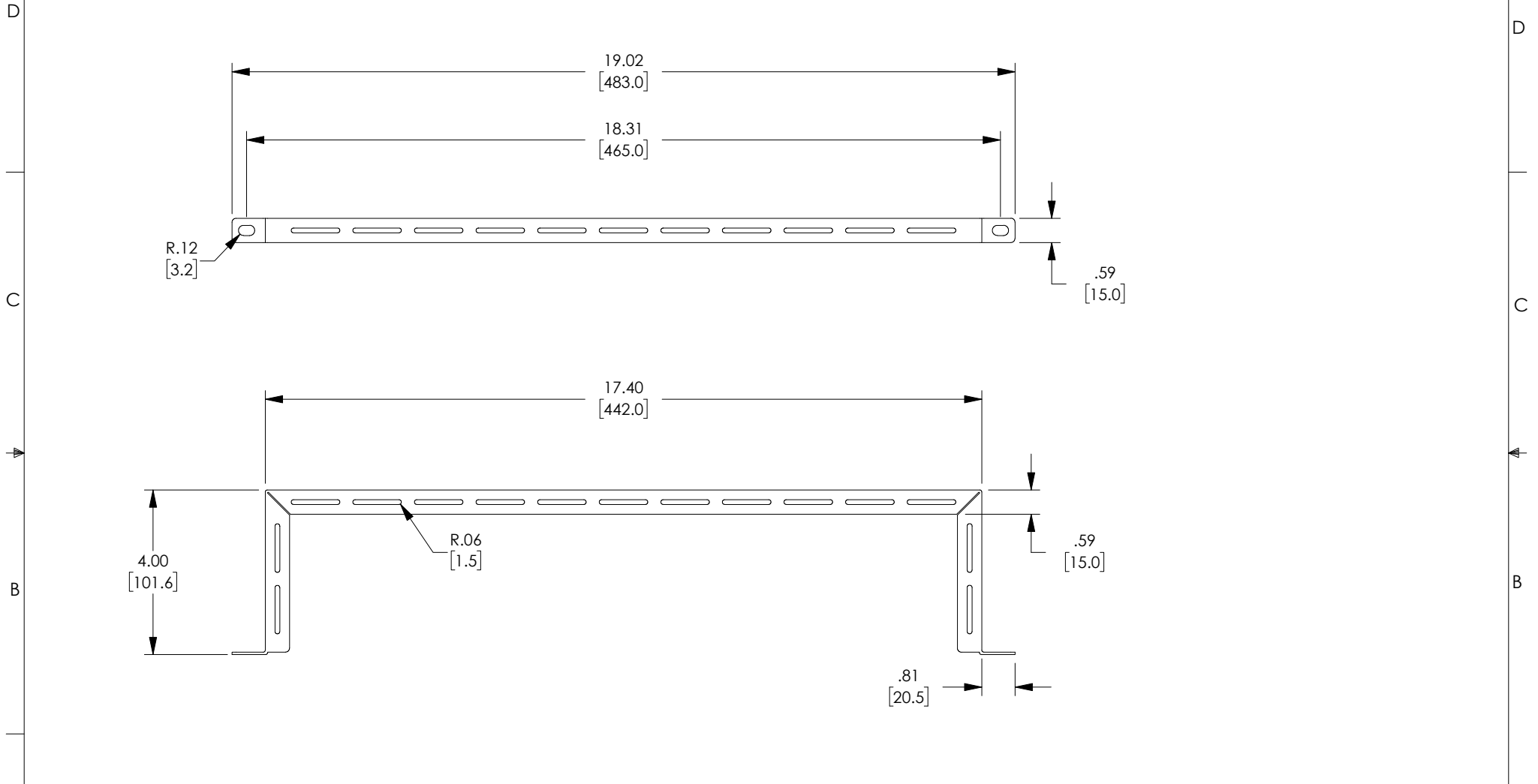


8 7 6 5 4 3 2 1

THE INFORMATION CONTAINED IN THIS DRAWING IS THE SOLE PROPERTY OF L-COM, INC. ANY REPRODUCTION IN PART OR WHOLE WITHOUT THE WRITTEN PERMISSION OF L-COM, INC. IS PROHIBITED.

REVISIONS			
REV	DESCRIPTION	DATE	APPROVED
A	REV A DRAWING RELEASED	11/26/2018	JYOU
B	ECN 9837: REVISED DRAWING DIMENSIONING AND FORMAT	05/02/2019	DFRISIELLO



A

NOTES:

1. ALL DIMENSIONS ARE FOR REFERENCE ONLY.

<p>UNLESS OTHERWISE SPECIFIED, DIMENSIONS ARE IN INCHES [mm]</p> <p>OVERALL CABLE LENGTH TOLERANCE:</p> <p>≤12 [305] = +1 [25] / -0</p> <p>>12 [305] ≤60 [1524] = +2 [51] / -0</p> <p>>60 [1524] ≤120 [3048] = +4 [102] / -0</p> <p>>120 [3048] ≤300 [7620] = +6 [152] / -0</p> <p>>300 [7620] = +5% / -0%</p> <p>ALL OTHER DIMENSIONAL TOLERANCES:</p> <p>.X = ±.2 [5.08]</p> <p>.XX = ±.02 [5.1]</p> <p>.XXX = ±.005 [1.3]</p>	<p>APPROVALS</p> <p>DRAWN BY JYOU</p> <p>CHECKED BY BGATES</p> <p>APPROVED BY BGATES</p>	<p>DATE</p> <p>11/02/2018</p> <p>11/02/2018</p> <p>11/02/2018</p>	<p>L-com Global Connectivity</p> <p>50 HIGH STREET NORTH ANDOVER, MA 01845</p>	
	<p>PROJECTION</p>			<p>CATEGORY</p> <p>RACK PANELS</p>
	<p>CONFIGURATION DETAILS OF UNDIMENSIONED FEATURES MAY VARY</p>		<p>PRODUCT DESCRIPTION</p> <p>L-COM 19" L-SHAPED STEEL LACING BAR 4" OFFSET - 10 PACK</p>	<p>SCALE: NONE</p> <p>CAD FILE: RP00009-4.SLDDRW</p> <p>SHEET 1 OF 1</p>
	<p>COLOR VARIATIONS MAY OCCUR</p>	<p>SIZE A</p> <p>FSCM NO. 43321</p>	<p>DWG. NO. RP00009-4</p> <p>REV. B</p>	