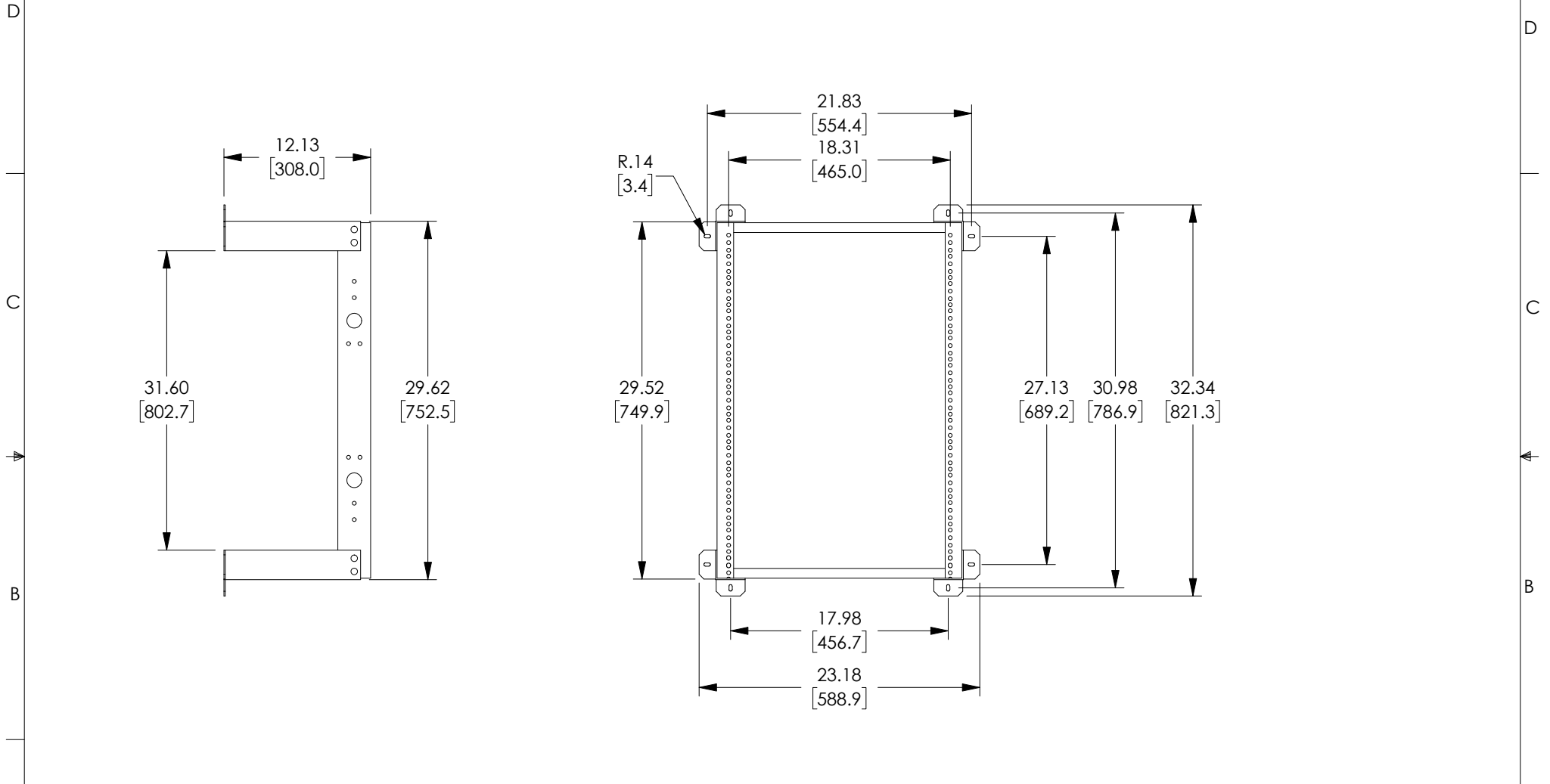


THE INFORMATION CONTAINED IN THIS DRAWING IS THE SOLE PROPERTY OF L-COM, INC. ANY REPRODUCTION IN PART OR WHOLE WITHOUT THE WRITTEN PERMISSION OF L-COM, INC. IS PROHIBITED.

REVISIONS			
REV	DESCRIPTION	DATE	APPROVED
A	REV A DRAWING RELEASED	11/27/2018	JYOU
B	ECN 9837: REVISED DRAWING DIMENSIONING AND FORMAT	05/06/2019	DFRISIELLO



NOTES:
 1. ALL DIMENSIONS ARE FOR REFERENCE ONLY.

UNLESS OTHERWISE SPECIFIED, DIMENSIONS ARE IN INCHES [mm] OVERALL CABLE LENGTH TOLERANCE: ≤ 12 [305] = +1 [25] / -0 >12 [305] ≤ 60 [1524] = +2 [51] / -0 >60 [1524] ≤ 120 [3048] = +4 [102] / -0 >120 [3048] ≤ 300 [7620] = +6 [152] / -0 >300 [7620] = +5% / -0% ALL OTHER DIMENSIONAL TOLERANCES: .X = $\pm .2$ [5.08] .XX = $\pm .02$ [51] .XXX = $\pm .005$ [1.13]	APPROVALS DRAWN BY JYOU	DATE 11/05/2018		50 HIGH STREET NORTH ANDOVER, MA 01845		
	CHECKED BY BGATES	DATE 11/05/2018		CATEGORY 19" RACKS		
	APPROVED BY BGATES	DATE 11/05/2018	PRODUCT DESCRIPTION L-COM OPEN FRAME 19" WALL MOUNT RACK 12" DEPTH - 16U			
	PROJECTION 	CONFIGURATION DETAILS OF UNDIMENSIONED FEATURES MAY VARY	COLOR VARIATIONS MAY OCCUR	SIZE A	FSCM NO. 43321	DWG. NO. RP00015-16

SCALE: NONE | CAD FILE: RP00015-16.SLDDRW | SHEET 1 OF 1