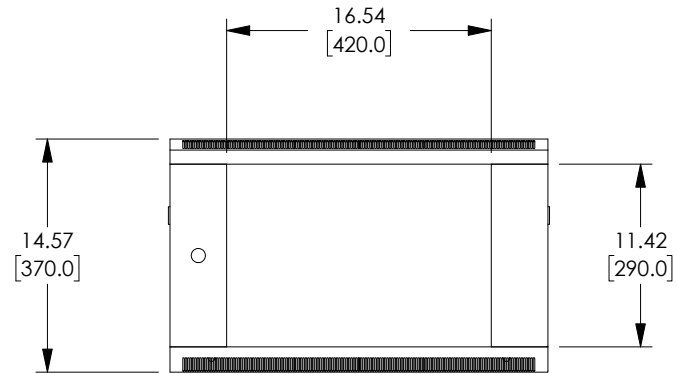
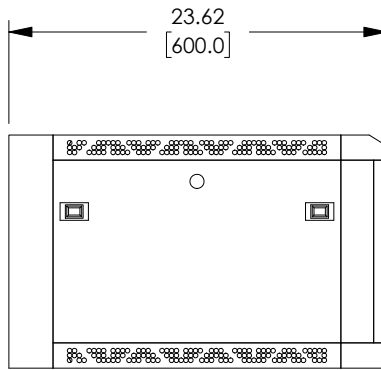
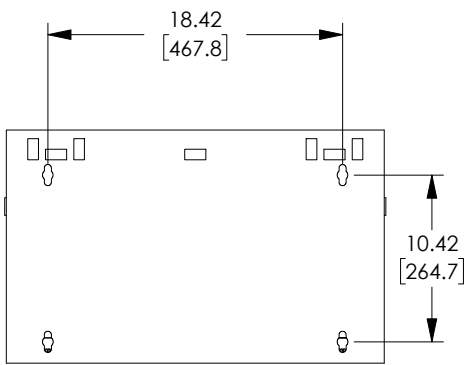
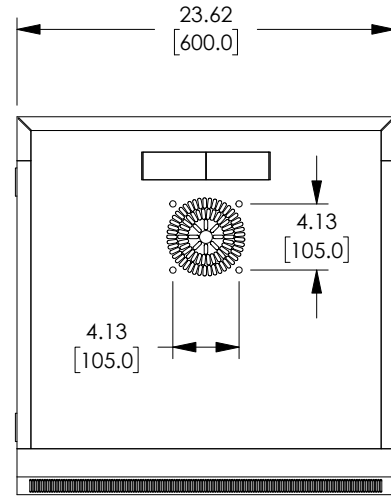
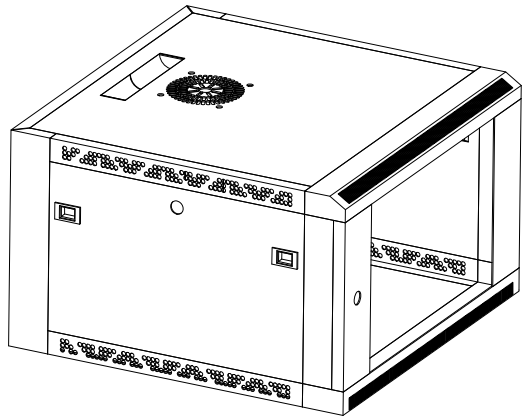


THE INFORMATION CONTAINED IN THIS DRAWING IS THE SOLE PROPERTY OF L-COM, INC. ANY REPRODUCTION IN PART OR WHOLE WITHOUT THE WRITTEN PERMISSION OF L-COM, INC. IS PROHIBITED.

REVISIONS			
REV	DESCRIPTION	DATE	APPROVED
A	REV A DRAWING RELEASED	11/27/2018	JYOU
B	ECN 9837: REVISED DRAWING DIMENSIONING AND FORAMT	05/13/2019	DFRISIELLO



UNLESS OTHERWISE SPECIFIED,
DIMENSIONS ARE IN INCHES [mm]

OVERALL CABLE LENGTH TOLERANCE:
 ≤ 12 [305] = +1 [25] / -0
 >12 [305] ≤ 60 [1524] = +2 [51] / -0
 >60 [1524] ≤ 120 [3048] = +4 [102] / -0
 >120 [3048] ≤ 300 [7620] = +6 [152] / -0
 >300 [7620] = +5% / -0%

ALL OTHER DIMENSIONAL TOLERANCES:
 .X = $\pm .2$ [5.08]
 .XX = $\pm .02$ [51]
 .XXX = $\pm .005$ [13]

PROJECTION

APPROVALS	DATE
DRAWN BY JYOU	11/08/2018
CHECKED BY BGATES	11/08/2018
APPROVED BY BGATES	11/08/2018

L-com Global Connectivity
 50 HIGH STREET
 NORTH ANDOVER, MA
 01845

CATEGORY
19" RACK ENCLOSURES

PRODUCT DESCRIPTION
**L-COM FIXED WALL MOUNT 19" CABINET
 23" DEPTH - 6 RU - FLAT BOX**

SIZE	FSCM NO.	DWG. NO.	REV.
A	43321	RP00025-6	B

SCALE: NONE | CAD FILE: RP00025-6.SLDDRW | SHEET 1 OF 1

NOTES:
 1. ALL DIMENSIONS ARE FOR REFERENCE ONLY.