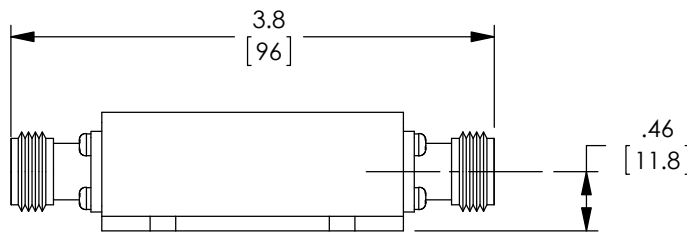
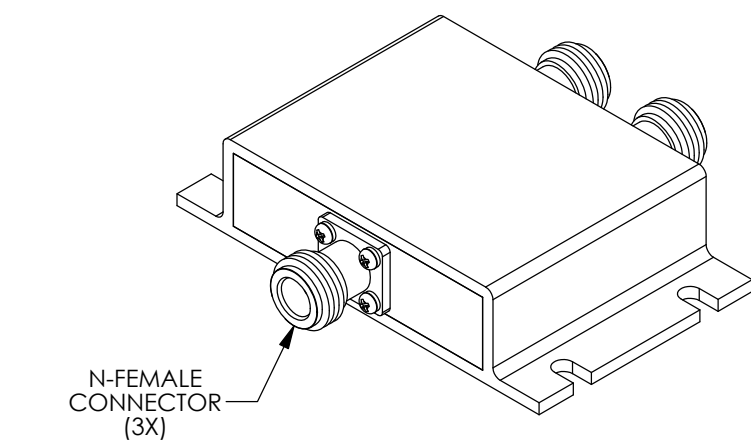
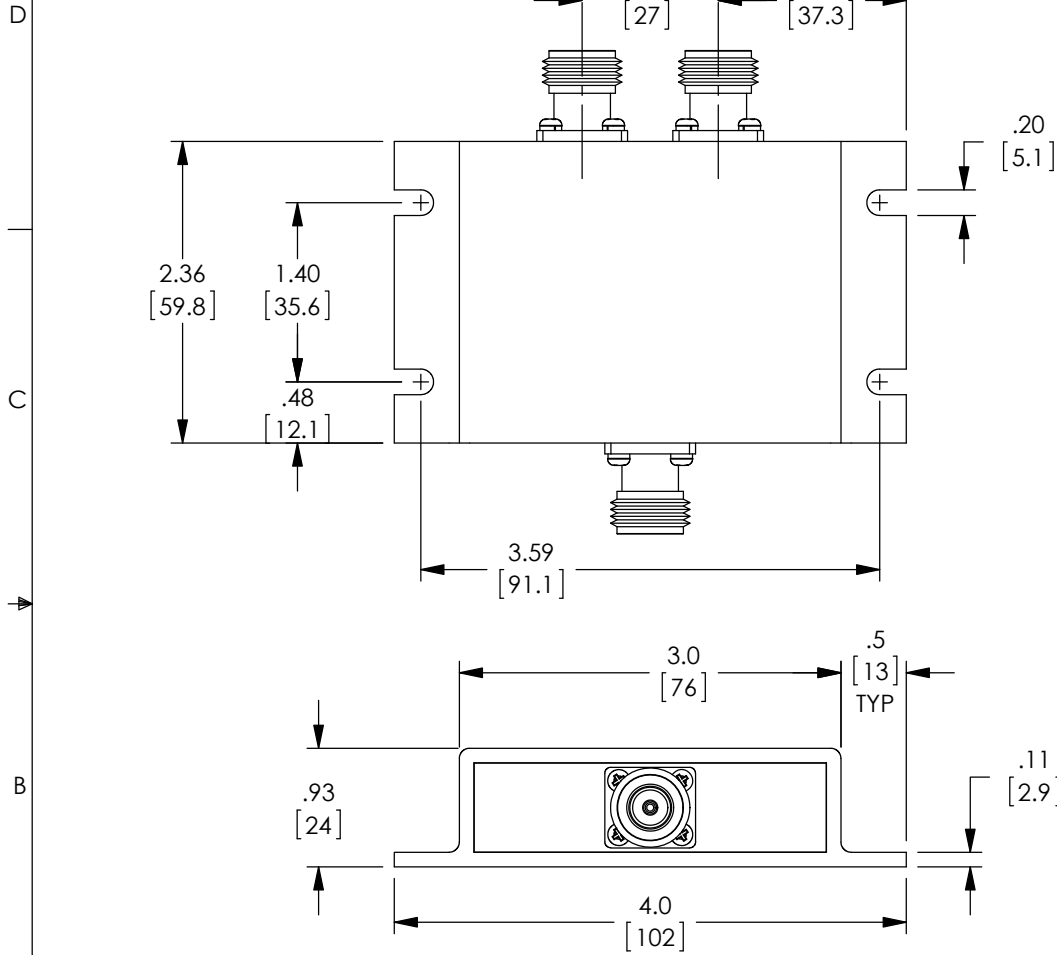


THE INFORMATION CONTAINED IN THIS DRAWING IS THE SOLE PROPERTY OF L-COM, INC. ANY REPRODUCTION IN PART OR WHOLE WITHOUT THE WRITTEN PERMISSION OF L-COM, INC. IS PROHIBITED.

REVISIONS			
REV	DESCRIPTION	DATE	APPROVED
A	INITIAL RELEASE	10/10/17	D.FRISIELLO



NOTE:

ELECTRICAL SPECIFICATIONS:

FREQUENCY: 750 - 2700 MHz
 INSERTION LOSS: <.5 dB (INSERTION LOSS FIGURE EXCLUDES POWER DIVISION)
 OUTPUT PORT TO PORT ISOLATION: ≥ 20 dB
 IMPEDANCE: 50 OHM
 VSWR: MAX. 1.25
 POWER RATING: 50W
 PASSIVE INTERMODULATION (PIM): ≤ -155 dBc

PACKAGING:

EACH UNIT TO BE INDIVIDUALLY PACKAGED IN ACCORDANCE WITH L-COM SPEC PKG-00012

-ALL DIMENSIONS ARE FOR REFERENCE ONLY-

UNLESS OTHERWISE SPECIFIED, DIMENSIONS ARE IN INCHES [mm] OVERALL CABLE LENGTH TOLERANCE: ≤12 [305] = +1 [25] / -0 >12 [305] ≤60 [1524] = +2 [51] / -0 >60 [1524] ≤120 [3048] = +4 [102] / -0 >120 [3048] ≤300 [7620] = +6 [152] / -0 >300 [7620] = +5% / -0% ALL OTHER DIMENSIONAL TOLERANCES: .X = ±.2 [5.08] .XX = ±.02 [1.51] .XXX = ±.005 [1.13]	APPROVALS DRAWN BY D.FRISIELLO CHECKED BY R.CLARK APPROVED BY P.NEWTON	DATE 10/10/17 10/10/17 10/10/17	50 HIGH STREET NORTH ANDOVER, MA 01845 CATEGORY COAXIAL		
	CONFIGURATION DETAILS OF UNDIMENSIONED FEATURES MAY VARY COLOR VARIATIONS MAY OCCUR			PRODUCT DESCRIPTION SPT,2-Way750-2700 MHz N-F CONN	
PROJECTION 	SCALE: NONE	SIZE A	FSCM NO. 43321	DWG. NO. SCW02N-1	REV. A
CAD FILE: SCW02N-1.SLDDRW		SHEET 1 OF 1			