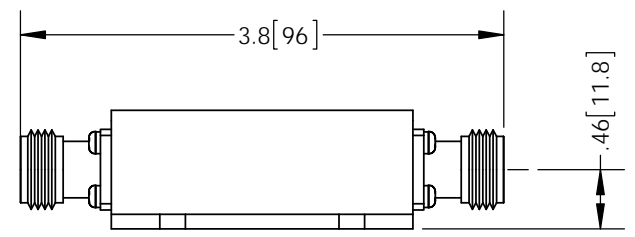
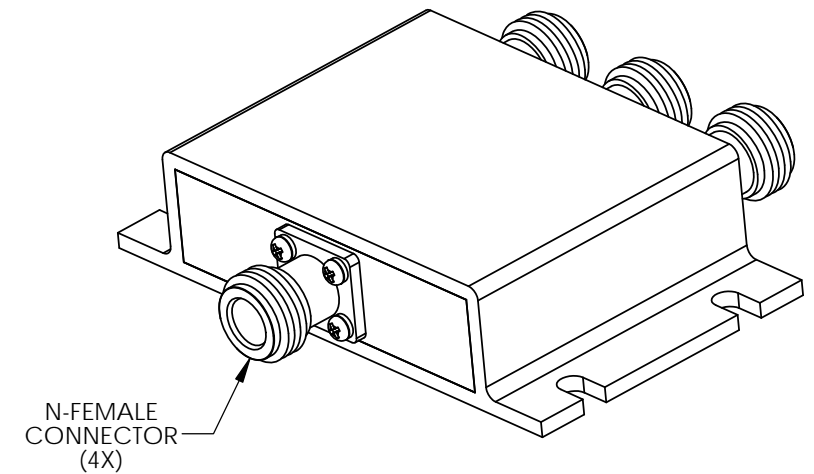
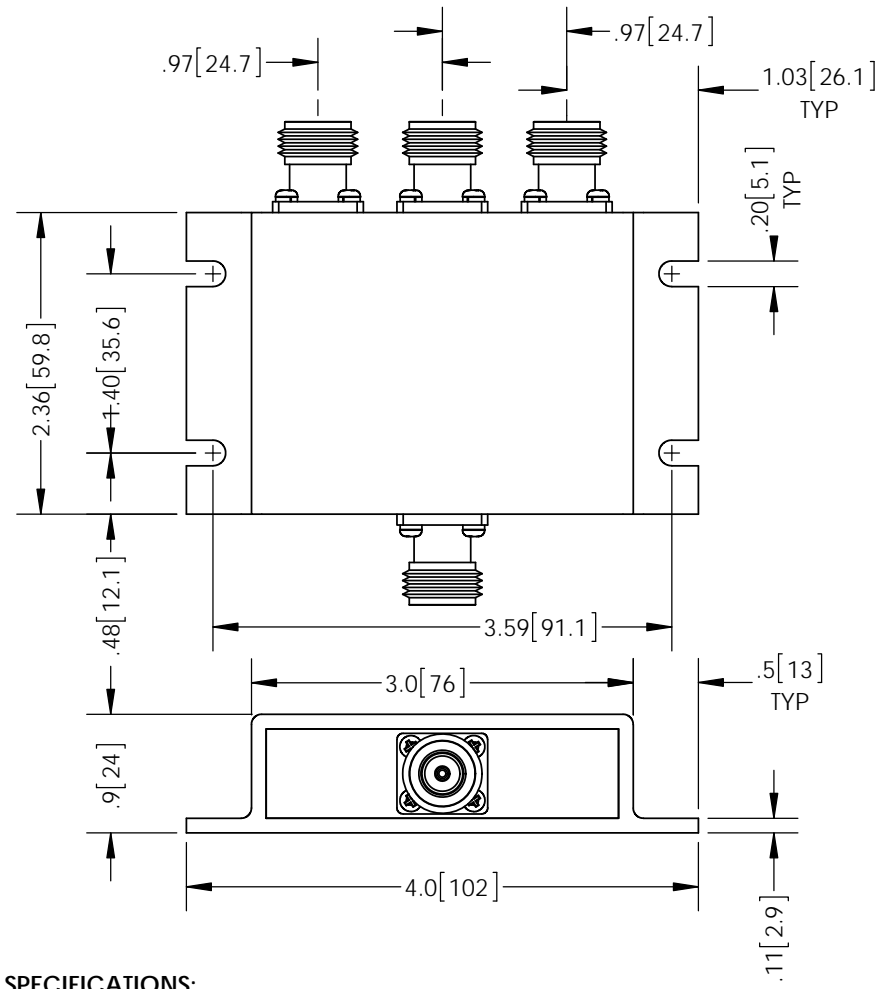


THE INFORMATION CONTAINED IN THIS DRAWING IS THE SOLE PROPERTY OF L-COM, INC. ANY REPRODUCTION IN PART OR WHOLE WITHOUT THE WRITTEN PERMISSION OF L-COM, INC. IS PROHIBITED.

REVISIONS			
REV	DESCRIPTION	DATE	APPROVED
A	INITIAL RELEASE	4/12/16	D.GRIFFIN



NOTE:
ELECTRICAL SPECIFICATIONS:

FREQUENCY: 750-2700MHz
 INSERTION LOSS: <.5 dB (INSERTION LOSS FIGURE EXCLUDES POWER DIVISION)
 OUTPUT PORT TO PORT ISOLATION: ≥ 20dB
 IMPEDANCE: 50 OHM
 VSWR: ≤ 1.4:1
 POWER RATING: 50W
 PASSIVE INTERMODULATION (PIM): < -140dBc

PACKAGING:

EACH UNIT TO BE INDIVIDUALLY PACKAGED IN ACCORDANCE WITH L-COM SPEC PKG-00012

-ALL DIMENSIONS ARE FOR REFERENCE ONLY-

REGULATORY COMPLIANCE:

CE2011/65/EU(RoHS DIRECTIVE)

UNLESS OTHERWISE SPECIFIED, DIMENSIONS ARE IN INCHES [mm]	APPROVALS	DATE		50 HIGH STREET NORTH ANDOVER, MA 01845	
	DRAWN BY B.PUCHASKI	04/06/16			
	DIMENSIONAL TOLERANCES: .X = ±.1 [2.54] .XX = ±.01 [25] .XXX = ±.005 [13]	CHECKED BY K.BURGNER	04/06/16		CATEGORY COAXIAL
	ANGULAR TOLERANCES: ALL = ± 1°	APPROVED BY P.PESA	04/06/16		PRODUCT DESCRIPTION 750 - 2700 MHz 3-WAY LOW PIM SPLITTER W/N-FEMALE CONNECTORS
PROJECTION 	COLOR VARIATIONS MAY OCCUR	SIZE A	FSCM NO. 43321	DWG. NO. SCW03N	REV. A
		SCALE: NONE	CAD FILE: SCW03N.SLDDRW	SHEET 1 OF 1	