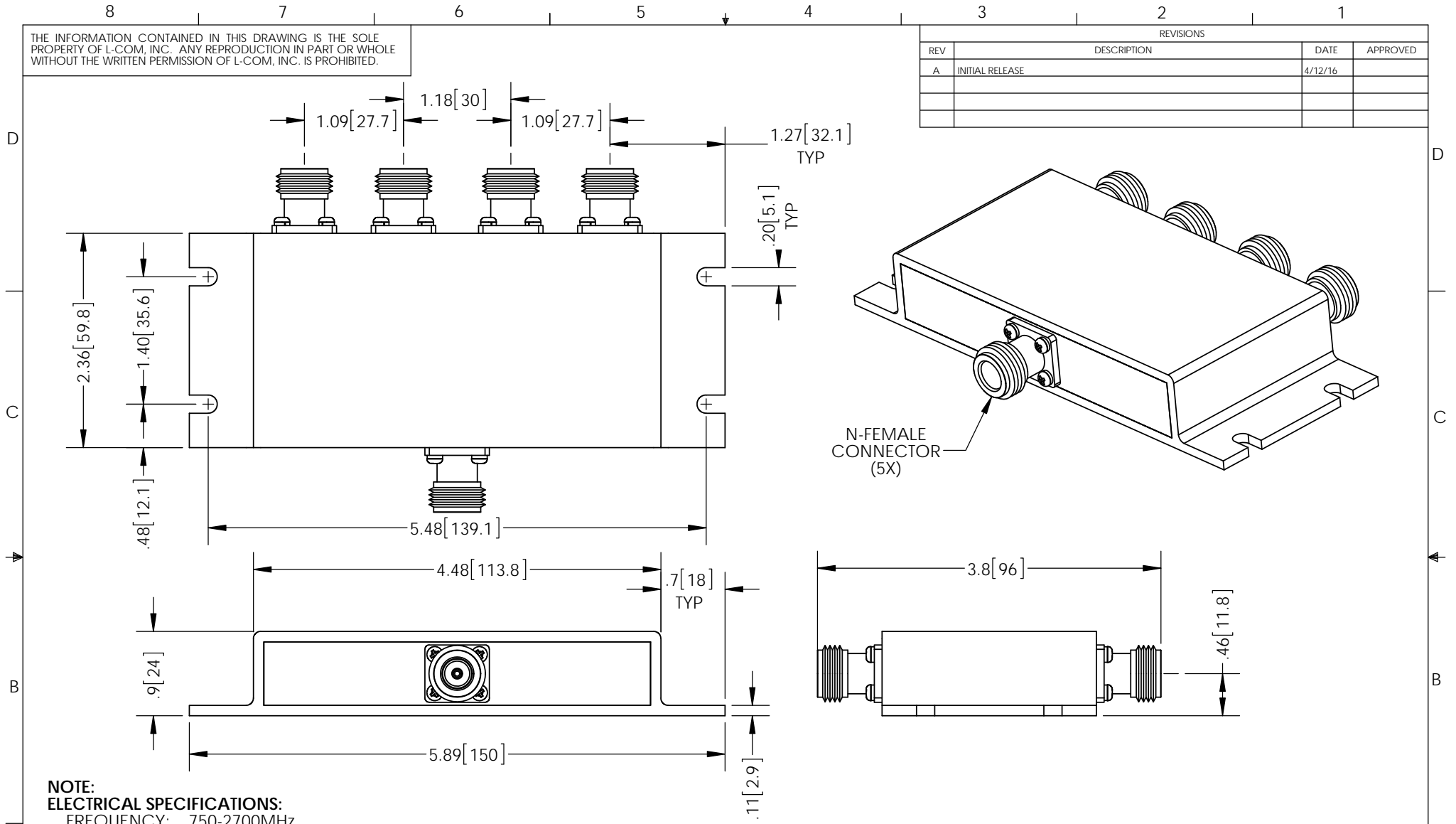


THE INFORMATION CONTAINED IN THIS DRAWING IS THE SOLE PROPERTY OF L-COM, INC. ANY REPRODUCTION IN PART OR WHOLE WITHOUT THE WRITTEN PERMISSION OF L-COM, INC. IS PROHIBITED.

REVISIONS			
REV	DESCRIPTION	DATE	APPROVED
A	INITIAL RELEASE	4/12/16	



NOTE:
ELECTRICAL SPECIFICATIONS:

- FREQUENCY: 750-2700MHz
- INSERTION LOSS: <.5 dB (INSERTION LOSS FIGURE EXCLUDES POWER DIVISION)
- OUTPUT PORT TO PORT ISOLATION: ≥ 20dB
- IMPEDANCE: 50 OHM
- VSWR: ≤ 1.4:1
- POWER RATING: 50W
- PASSIVE INTERMODULATION (PIM): < -140dBc

PACKAGING:

EACH UNIT TO BE INDIVIDUALLY PACKAGED IN ACCORDANCE WITH L-COM SPEC PKG-00012

-ALL DIMENSIONS ARE FOR REFERENCE ONLY-

REGULATORY COMPLIANCE:

CE2011/65/EU(RoHS DIRECTIVE)

UNLESS OTHERWISE SPECIFIED, DIMENSIONS ARE IN INCHES [mm] DIMENSIONAL TOLERANCES: .X = ±.1 [2.54] .XX = ±.01 [25] .XXX = ±.005 [13] ANGULAR TOLERANCES: ALL = ± 1° PROJECTION 	APPROVALS	DATE	 50 HIGH STREET NORTH ANDOVER, MA 01845	
	DRAWN BY B.PUCHASKI	04/08/16		
	CHECKED BY K.BURGNER	04/08/16	PRODUCT DESCRIPTION 750 - 2700 4-WAY LOW PIM SPLITTER W/N-FEMALE CONNECTORS	
	APPROVED BY P.PESA	04/08/16	SIZE A	FSCM NO. 43321
COLOR VARIATIONS MAY OCCUR		SCALE: NONE	CAD FILE: SCW04N.SLDDRW	REV. A
			SHEET 1 OF 1	