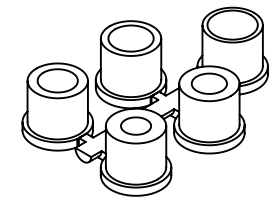
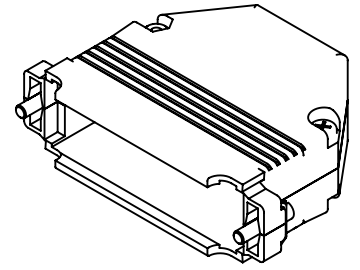
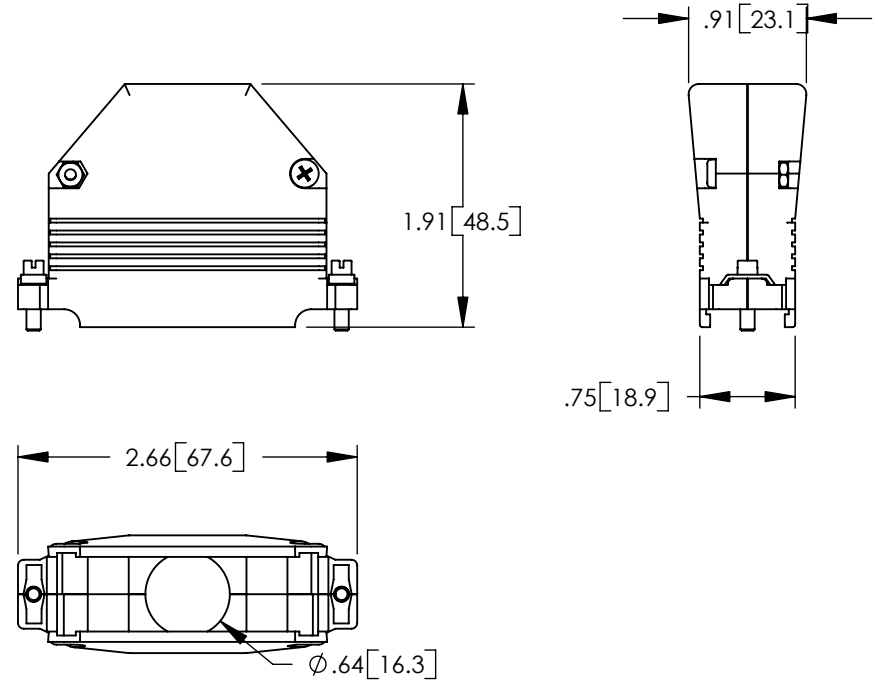
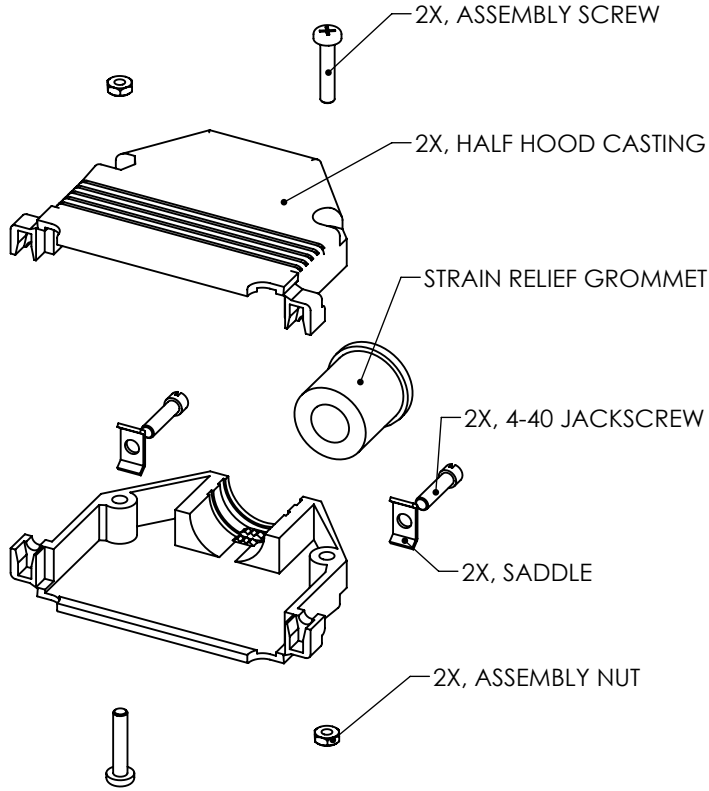


THE INFORMATION CONTAINED IN THIS DRAWING IS THE SOLE PROPERTY OF L-COM, INC. ANY REPRODUCTION IN PART OR WHOLE WITHOUT THE WRITTEN PERMISSION OF L-COM, INC. IS PROHIBITED.

REVISIONS			
REV	DESCRIPTION	DATE	CHANGED BY
A	INITIAL RELEASE	12/10/04	T.CLARK
B	ECN 3174: REVISED FINISH TO NICKEL PLATE	2/4/08	D.FRISIELLO



NOTES:

MATERIAL:
 HOOD: DIE-CAST ZINC ALLOY
 JACKSCREWS: STEEL
 ASSEMBLY HARDWARE: STEEL
 STRAIN RELIEF GROMMETS: PVC, BLACK

FINISH:
 HOOD: NICKEL PLATED, MATTE FINISH ON MAJOR SURFACES
 JACKSCREWS: NICKEL PLATED
 ASSEMBLY HARDWARE: NICKEL PLATED

MISCELLANEOUS:
 INTENDED FOR USE WITH 50 PIN STANDARD AND 78 PIN HIGH DENSITY D-SUBMINIATURE CONNECTORS.
 SUPPLIED WITH 5 STRAIN RELIEF GROMMETS FOR CABLES HAVING DIAMETERS RANGING FROM .310 TO .530 INCH.

UNLESS OTHERWISE SPECIFIED, DIMENSIONS ARE IN INCHES [mm] TOLERANCES TO BE: .X ±.1 [2.5] ANGLES ±2° .XX ±.01 [.25] .XXX ±.005 [.13] OVERALL CABLE LENGTH TOL: ≤ 60 [1524] +3 [76.2] / -0 > 60 [1524] +5% / -0%	APPROVALS	DATE
	DRAWN BY T.CLARK	12/10/2004
	CHECKED BY D.PARHAM	12/10/2004
	APPROVED BY C.MCCORMICK	12/10/2004
	CONFIGURATION DETAILS OF UNDIMENSIONED FEATURES MAY VARY	

	45 BEECHWOOD DRIVE NORTH ANDOVER, MA 01845	
	CATEGORY	DATA CABLING
PRODUCT DESCRIPTION		DB50 & HD 78 HOOD KIT
SIZE	FSCM NO.	DWG. NO.
A	43321	SDC50AG
SCALE: NONE		CAD FILE: SDC50AG.SLDDRW
SHEET 1 OF 1		REV. B