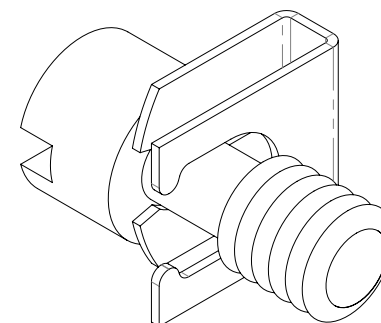
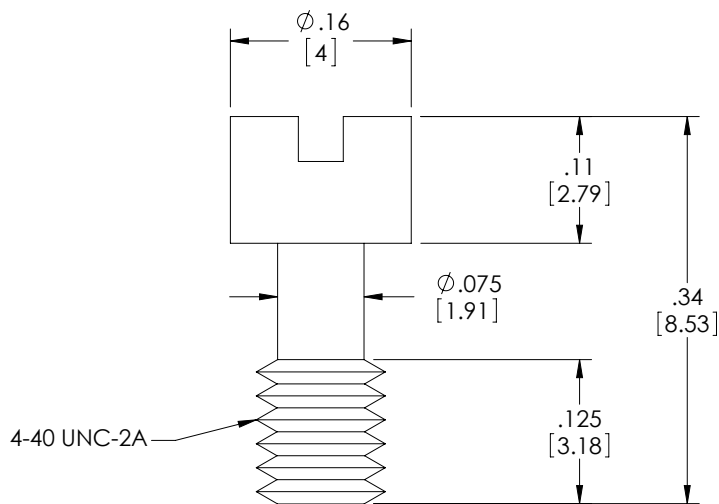
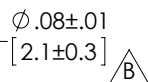
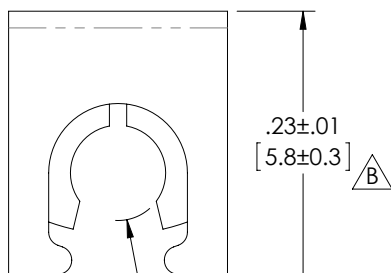
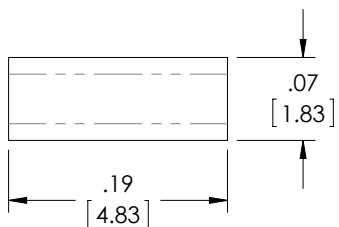


THE INFORMATION CONTAINED IN THIS DRAWING IS THE SOLE PROPERTY OF L-COM, INC. ANY REPRODUCTION IN PART OR WHOLE WITHOUT THE WRITTEN PERMISSION OF L-COM, INC. IS PROHIBITED.

REVISIONS			
REV	DESCRIPTION	DATE	APPROVED
A	DRAWING REPLACES SDF1-OD1	10/20/14	D. CASTRO
B	ECN 8946: 5.8±0.3 WAS 5.69, 2.1±0.3 WAS 2.01, TIN WAS CHROMATED	10/2/2017	R.CLARK



NOTES:

1. MATERIALS:

SCREW: BRASS,
RETAINER: STEEL

FINISH:

SCREW: NICKEL
RETAINER: TIN

2. FITS ALL D-SUBMINIATURE CONNECTORS HAVING METAL FLANGES.

3. ALL DIMENSIONS ARE FOR REFERENCE.

4. COMPONENTS ARE PACKAGED WITH 50 SCREWS AND 50 RETAINERS PER BAG IN ACCORDANCE WITH L-COM SPEC PS-0031.

REGULATORY COMPLIANCE:

CE2011/65/EU(RoHS DIRECTIVE)

UNLESS OTHERWISE SPECIFIED, DIMENSIONS ARE IN INCHES [mm] OVERALL CABLE LENGTH TOLERANCE: ≤12 [305] = +1 [25] / -0 >12 [305] ≤60 [1524] = +2 [51] / -0 >60 [1524] ≤120 [3048] = +4 [102] / -0 >120 [3048] ≤300 [7620] = +6 [152] / -0 >300 [7620] = +5% / -0% ALL OTHER DIMENSIONAL TOLERANCES: .X = ± .2 [5.08] .XX = ± .02 [51] .XXX = ±.005 [1.27]	APPROVALS T.CLARK CHECKED BY D.PARHAM APPROVED BY C.McCORMICK	DATE 11/05/2001 11/05/2001 11/05/2001		50 HIGH STREET NORTH ANDOVER, MA 01845	
	CONFIGURATION DETAILS OF UNDIMENSIONED FEATURES MAY VARY		CATEGORY D-SUBMINIATURE		
	COLOR VARIATIONS MAY OCCUR		PRODUCT DESCRIPTION 4-40 JACKSCREWS WITH RETAINING CLIP		
	PROJECTION 	SIZE A	FSCM NO. 43321	DWG. NO. SDF1	REV. B