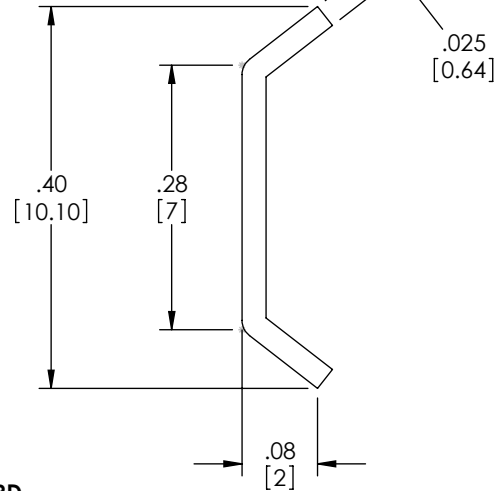
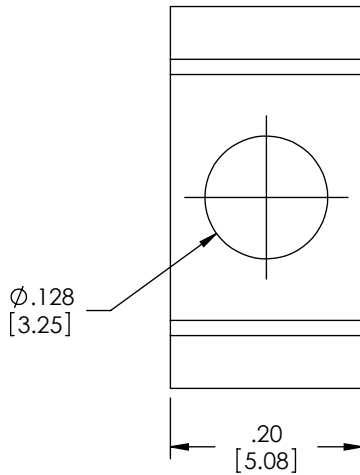
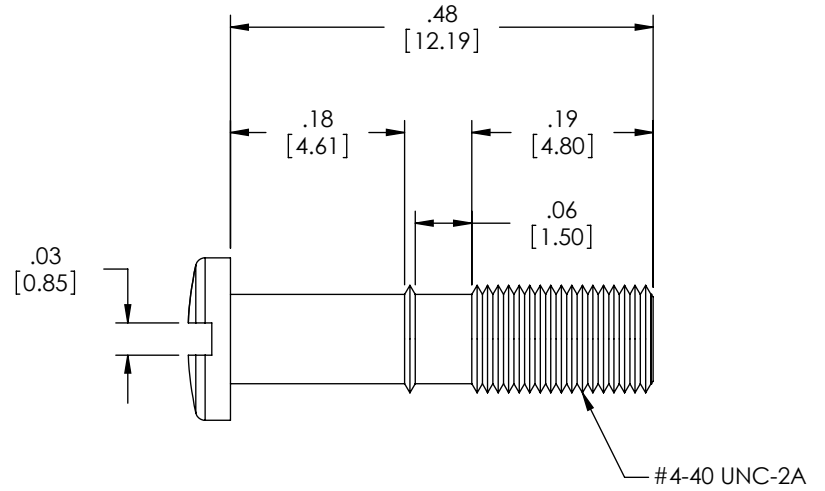
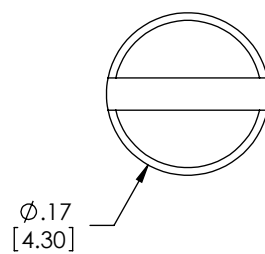


THE INFORMATION CONTAINED IN THIS DRAWING IS THE SOLE PROPERTY OF L-COM, INC. ANY REPRODUCTION IN PART OR WHOLE WITHOUT THE WRITTEN PERMISSION OF L-COM, INC. IS PROHIBITED.

REVISIONS			
REV	DESCRIPTION	DATE	APPROVED
A	DRAWING REPLACES SDK-OD1	10/20/14	D. CASTRO



**GUARD**



**SCREW**

**NOTES:**  
 1. **MATERIALS:**  
 SCREW: STEEL  
 GUARD: STEEL  
  
**FINISH:**  
 SCREW: NICKEL  
 GUARD: NICKEL

2. ALL DIMENSIONS ARE FOR REFERENCE.  
 3. COMPONENTS ARE PACKAGED WITH 50 SCREWS AND 50 GUARDS PER BAG IN ACCORDANCE WITH L-COM SPEC PS-0031.

**REGULATORY COMPLIANCE:**  
 CE2011/65/EU (RoHS DIRECTIVE)

UNLESS OTHERWISE SPECIFIED, DIMENSIONS ARE IN INCHES [mm] OVERALL CABLE LENGTH TOLERANCE: ≤12 [305] = +1 [25] / -0 >12 [305] ≤60 [1524] = +2 [51] / -0 >60 [1524] ≤120 [3048] = +4 [102] / -0 >120 [3048] ≤300 [7620] = +6 [152] / -0 >300 [7620] = +5% / -0%	APPROVALS	DATE		45 BEECHWOOD DRIVE NORTH ANDOVER, MA 01845
	DRAWN BY B.MAZEJKA	02/18/2004		CATEGORY D-SUBMINIATURE
ALL OTHER DIMENSIONAL TOLERANCES: .X = ±.2 [5.08] .XX = ±.02 [51] .XXX = ±.005 [1.3]	CHECKED BY D.PARHAM	02/18/2004	PRODUCT DESCRIPTION HDWRE, SCREW/GUARD	
PROJECTION 	APPROVED BY R.CARRICK	02/19/2004	CONFIGURATION DETAILS OF UNDIMENSIONED FEATURES MAY VARY	SCALE: NONE
	COLOR VARIATIONS MAY OCCUR	SIZE <b>A</b>	FSCM NO. <b>43321</b>	DWG. NO. SDK
			CAD FILE: SDK.SLDDRW	SHEET 1 OF 1