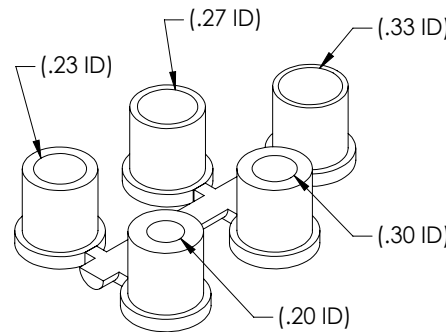
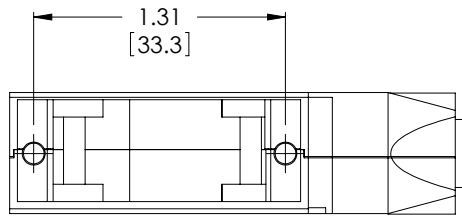
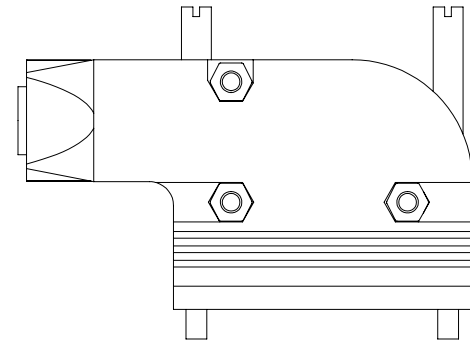
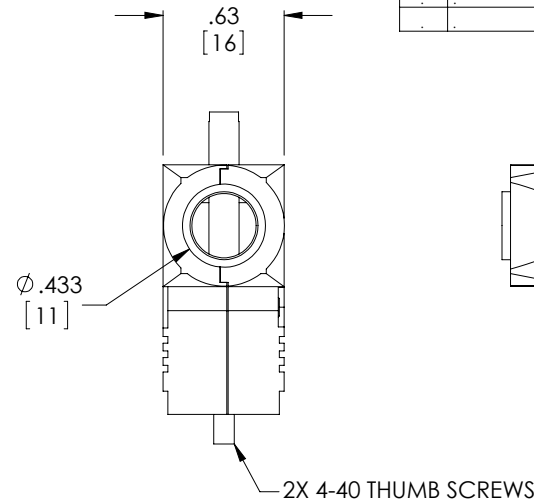
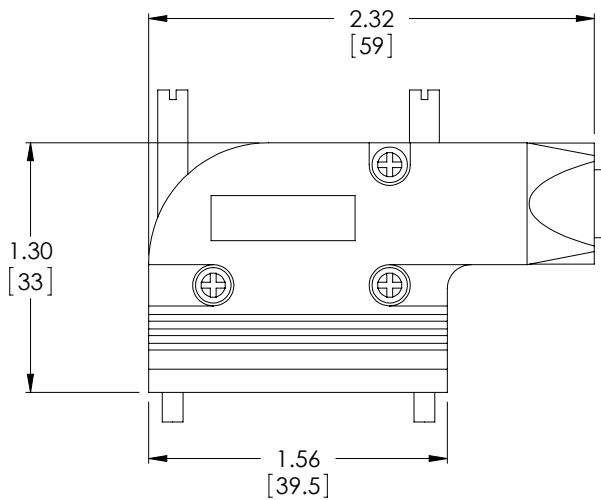
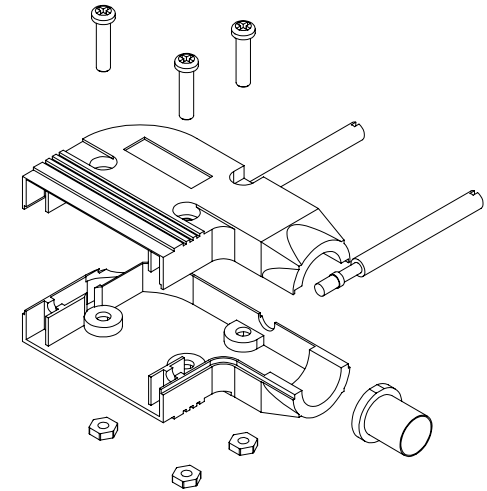


THE INFORMATION CONTAINED IN THIS DRAWING IS THE SOLE PROPERTY OF L-COM, INC. ANY REPRODUCTION IN PART OR WHOLE WITHOUT THE WRITTEN PERMISSION OF L-COM, INC. IS PROHIBITED.

REVISIONS			
REV	DESCRIPTION	DATE	APPROVED
A	DRAWING REPLACES SDRA15AG-OD1	10/20/14	D. CASTRO
.	.	.	.
.	.	.	.
.	.	.	.



GROMMETS AS SUPPLIED



**NOTES:**

**MATERIALS:**

HOOD: DIE-CAST ZINC ALLOY  
 THUMBSCREW: STEEL  
 ASSEMBLY HARDWARE: STEEL  
 STRAIN RELIEF GROMMETS: PVC, BLACK

**FINISH:**

HOOD: NICKEL PLATED, MATTE FINISH ON MAJOR SURFACES  
 THUMBSCREW: NICKEL PLATED  
 ASSEMBLY HARDWARE: NICKEL PLATED

**MISCELLANEOUS:**

INTENDED FOR USE WITH 15 PIN STANDARD AND 26 PIN HIGH DENSITY D-SUBMINIATURE CONNECTORS.  
 SUPPLIED WITH 5 STRAIN RELIEF GROMMETS FOR CABLING HAVING DIAMETERS RANGING FROM .190 TO .335 INCH.  
 ALL DIMENSIONS ARE FOR REFERENCE.

**REGULATORY COMPLIANCE:**

CE2011/65/EU (RoHS DIRECTIVE)

UNLESS OTHERWISE SPECIFIED, DIMENSIONS ARE IN INCHES [mm] OVERALL CABLE LENGTH TOLERANCE: ≤12 [305] = +1 [25] / -0 >12 [305] ≤60 [1524] = +2 [51] / -0 >60 [1524] ≤120 [3048] = +4 [102] / -0 >120 [3048] ≤300 [7620] = +6 [152] / -0 >300 [7620] = +5% / -0% ALL OTHER DIMENSIONAL TOLERANCES: .X = ±.2 [5.08] .XX = ±.02 [51] .XXX = ±.005 [1.27]	APPROVALS DRAWN BY MCCORMICK	DATE 02/27/02		45 BEECHWOOD DRIVE NORTH ANDOVER, MA 01845	
	CHECKED BY D.PARHAM	02/27/02		CATEGORY D-SUBMINIATURE	
	APPROVED BY R.CARRICK	02/27/02	PRODUCT DESCRIPTION HOOD, DB15 METAL RIGHT ANG		
	PROJECTION 	COLOR VARIATIONS MAY OCCUR	SIZE <b>A</b>	FSCM NO. <b>43321</b>	DWG. NO. SDRA15AG

SCALE: NONE CAD FILE: SDRA15AG.SLDDRW SHEET 1 OF 1