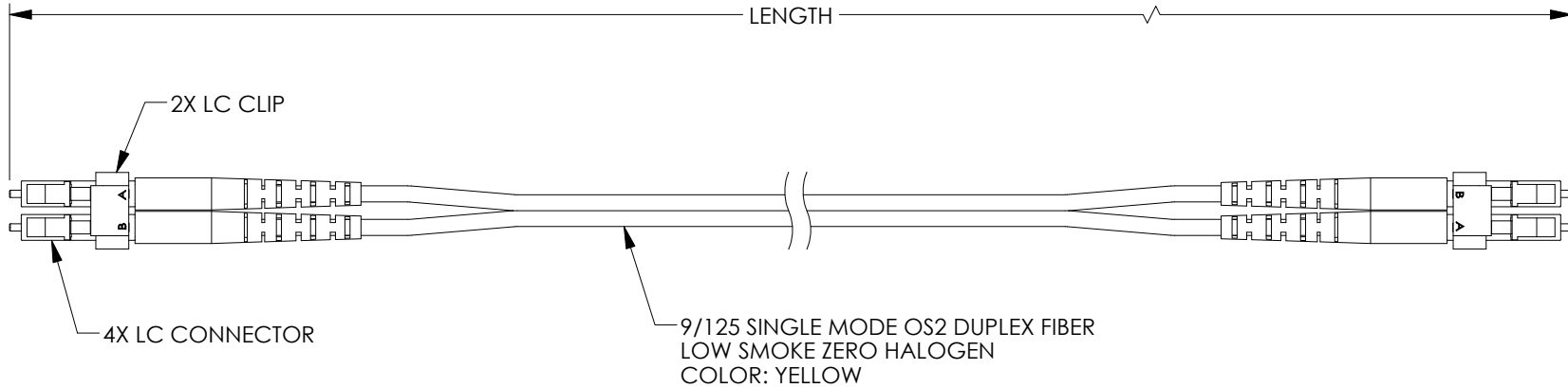


THE INFORMATION CONTAINED IN THIS DRAWING IS THE SOLE PROPERTY OF L-COM, INC. ANY REPRODUCTION IN PART OR WHOLE WITHOUT THE WRITTEN PERMISSION OF L-COM, INC. IS PROHIBITED.

REVISIONS			
REV	DESCRIPTION	DATE	APPROVED
A	INITIAL RELEASE	4/11/17	D.FRISIELLO


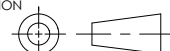


MODEL NO.	LENGTH METERS [FEET]
SFODZLCCL-05	0.5 [1.64]
SFODZLCCL-1	1.0 [3.28]
SFODZLCCL-2	2.0 [6.56]
SFODZLCCL-3	3.0 [9.84]
SFODZLCCL-5	5.0 [16.41]
SFODZLCCL-10	10.0 [32.81]

NOTES:

1. LC CONNECTOR ASSEMBLY POLISH TYPE: PC.
2. ALL CONNECTORS ACCOMPANIED WITH A DUST CAP INSTALLED (NOT SHOWN).
3. CABLE ASSEMBLY SHALL BE INDIVIDUALLY PACKAGED IN ACCORDANCE WITH L-COM SPECIFICATION PS-0031.

REGULATORY COMPLIANCE:
CE2011/65/EU(RoHS DIRECTIVE)

UNLESS OTHERWISE SPECIFIED, DIMENSIONS ARE IN INCHES [mm] OVERALL CABLE LENGTH TOLERANCE: ≤12 [305] = +1 [25] / -0 >12 [305] ≤60 [1524] = +2 [51] / -0 >60 [1524] ≤120 [3048] = +4 [102] / -0 >120 [3048] ≤300 [7620] = +6 [152] / -0 >300 [7620] = +5% / -0%	APPROVALS	DATE	 50 HIGH STREET NORTH ANDOVER, MA 01845			
	DRAWN BY D.FRISIELLO	4/11/17		CATEGORY FIBER OPTICS		
ALL OTHER DIMENSIONAL TOLERANCES: .X = ± .2 [5.08] .XX = ± .02 [1.51] .XXX = ±.005 [1.13]	CHECKED BY M.MARTINEZ	4/11/17	PRODUCT DESCRIPTION LCCL LCCL SNG LSZH YLW			
	APPROVED BY D.GUITADAURO	4/11/17		<table border="1"> <tr> <td>SIZE A</td> <td>FSCM NO. 43321</td> <td>DWG. NO. SFODZLCCL</td> <td>REV. A</td> </tr> </table>	SIZE A	FSCM NO. 43321
SIZE A	FSCM NO. 43321	DWG. NO. SFODZLCCL	REV. A			
PROJECTION 	CONFIGURATION DETAILS OF UNDIMENSIONED FEATURES MAY VARY		SCALE: NONE			
COLOR VARIATIONS MAY OCCUR		CAD FILE: SFODZLCCL.SLDDRW				
		SHEET 1 OF 1				