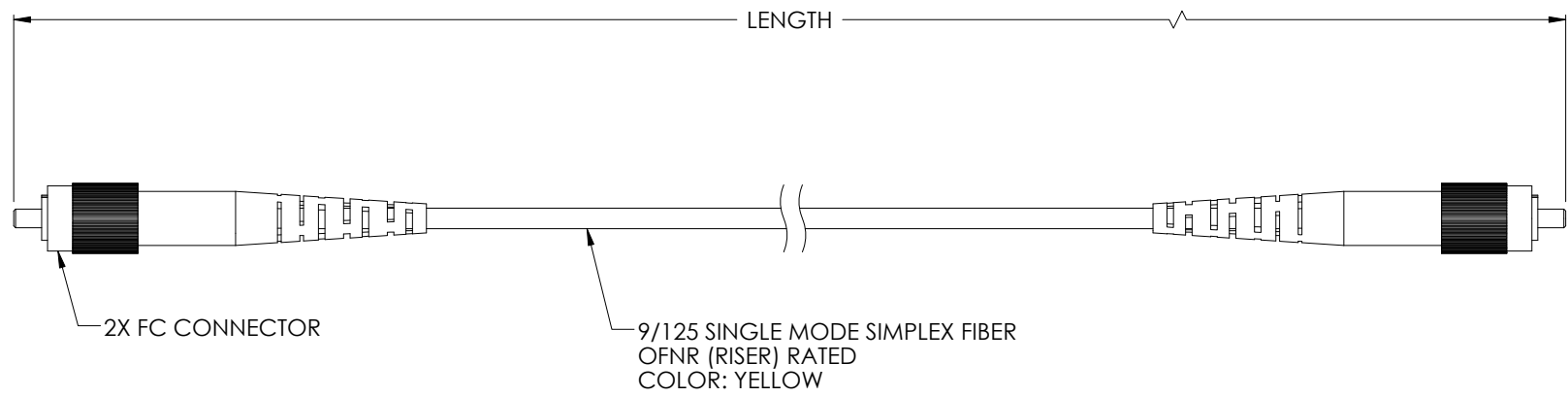


THE INFORMATION CONTAINED IN THIS DRAWING IS THE SOLE PROPERTY OF L-COM, INC. ANY REPRODUCTION IN PART OR WHOLE WITHOUT THE WRITTEN PERMISSION OF L-COM, INC. IS PROHIBITED.

REVISIONS			
REV	DESCRIPTION	DATE	APPROVED
A	DRAWING REPLACES SFOFC-01-OD1	10/17/14	D. DESJARDIN


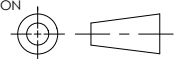


PART NUMBER	METERS [FEET]
SFOFC-01	1.0 [3.28]
SFOFC-02	2.0 [6.56]
SFOFC-03	3.0 [9.84]
SFOFC-04	4.0 [13.12]
SFOFC-05	5.0 [16.40]

**NOTES:**

1. FC CONNECTOR ASSEMBLY POLISH TYPE: PC
2. ALL CONNECTORS ACCOMPANIED WITH A DUST CAP INSTALLED (NOT SHOWN).
3. CABLE ASSEMBLY SHALL BE INDIVIDUALLY PACKAGED IN ACCORDANCE WITH L-COM SPECIFICATION PS-0031.

**REGULATORY COMPLIANCE:**  
CE2011/65/EU (RoHS DIRECTIVE)

UNLESS OTHERWISE SPECIFIED, DIMENSIONS ARE IN INCHES [mm] OVERALL CABLE LENGTH TOLERANCE: ≤12 [305] = +1 [25] / -0 >12 [305] ≤60 [1524] = +2 [51] / -0 >60 [1524] ≤120 [3048] = +4 [102] / -0 >120 [3048] ≤300 [7620] = +6 [152] / -0 >300 [7620] = +5% / -0%	APPROVALS	DATE	 45 BEECHWOOD DRIVE NORTH ANDOVER, MA 01845			
	DRAWN BY MCCORMICK	12/28/00		CATEGORY FIBER OPTICS		
ALL OTHER DIMENSIONAL TOLERANCES: .X = ± .2 [5.08] .XX = ± .02 [1.51] .XXX = ±.005 [1.13]	CHECKED BY D.PARHAM	01/19/01	PRODUCT DESCRIPTION CA FC-FC 9/125 SIMPLEX			
	APPROVED BY R.CARRICK	01/19/01		<table border="1"> <tr> <td>SIZE <b>A</b></td> <td>FSCM NO. <b>43321</b></td> <td>DWG. NO. SFOFC</td> <td>REV. <b>A</b></td> </tr> </table>	SIZE <b>A</b>	FSCM NO. <b>43321</b>
SIZE <b>A</b>	FSCM NO. <b>43321</b>	DWG. NO. SFOFC	REV. <b>A</b>			
PROJECTION 	CONFIGURATION DETAILS OF UNDIMENSIONED FEATURES MAY VARY		SCALE: NONE			
COLOR VARIATIONS MAY OCCUR		CAD FILE: SFOFC.SLDDRW				
			SHEET 1 OF 1			