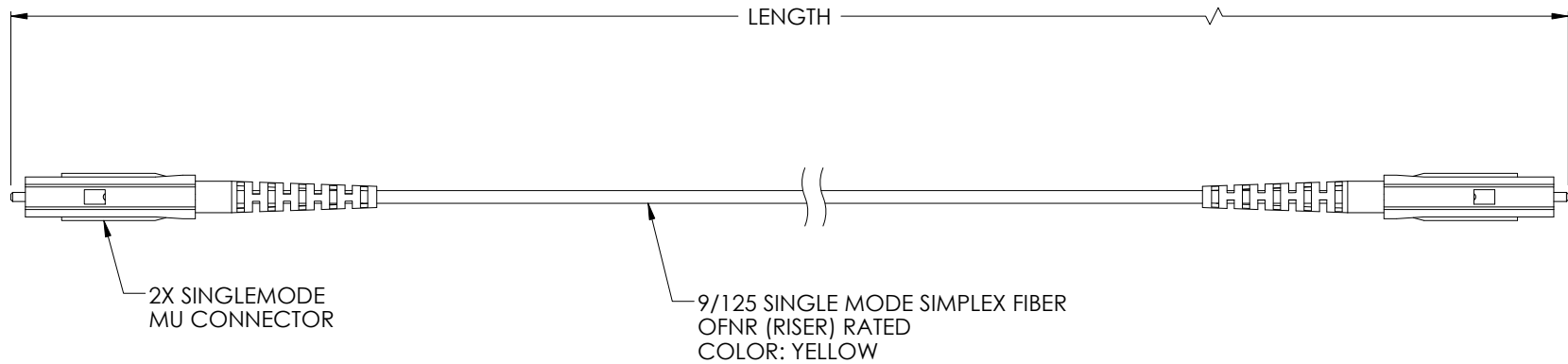


THE INFORMATION CONTAINED IN THIS DRAWING IS THE SOLE PROPERTY OF L-COM, INC. ANY REPRODUCTION IN PART OR WHOLE WITHOUT THE WRITTEN PERMISSION OF L-COM, INC. IS PROHIBITED.

REVISIONS			
REV	DESCRIPTION	DATE	APPROVED
A	DRAWING REPLACES SFOMU-01-OD1	10/30/14	D. DESJARDIN



PART NUMBER	METERS [FEET]
SFOMU-01	1.0 [3.28]
SFOMU-02	2.0 [6.56]
SFOMU-03	3.0 [9.84]
SFOMU-04	4.0 [13.12]
SFOMU-05	5.0 [16.40]

NOTES:

- MU CONNECTOR ASSEMBLY POLISH TYPE: PC
- ALL CONNECTORS ACCOMPANIED WITH A DUST CAP INSTALLED (NOT SHOWN).
- CABLE ASSEMBLY SHALL BE INDIVIDUALLY PACKAGED IN ACCORDANCE WITH L-COM SPECIFICATION PS-0031.

REGULATORY COMPLIANCE:
CE2011/65/EU (RoHS DIRECTIVE)

UNLESS OTHERWISE SPECIFIED, DIMENSIONS ARE IN INCHES [mm] OVERALL CABLE LENGTH TOLERANCE: ≤12 [305] = +1 [25] / -0 >12 [305] ≤60 [1524] = +2 [51] / -0 >60 [1524] ≤120 [3048] = +4 [102] / -0 >120 [3048] ≤300 [7620] = +6 [152] / -0 >300 [7620] = +5% / -0%	APPROVALS	DATE		45 BEECHWOOD DRIVE NORTH ANDOVER, MA 01845
	DRAWN BY MCCORMICK	08/06/02		CATEGORY
ALL OTHER DIMENSIONAL TOLERANCES: .X = ± .2 [5.08] .XX = ± .02 [1.51] .XXX = ±.005 [1.13]	CHECKED BY D.PARHAM	08/06/02	PRODUCT DESCRIPTION	
PROJECTION	APPROVED BY R.CARRICK	08/06/02	MU-MU SINGLEMODE SIMPLEX	
	CONFIGURATION DETAILS OF UNDIMENSIONED FEATURES MAY VARY	COLOR VARIATIONS MAY OCCUR	SIZE A	FSCM NO. 43321
			DWG. NO. SFOMU	REV. A
			SCALE: NONE	CAD FILE: SFOMU.SLDDRW
				SHEET 1 OF 1