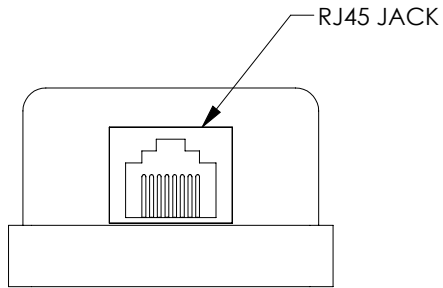
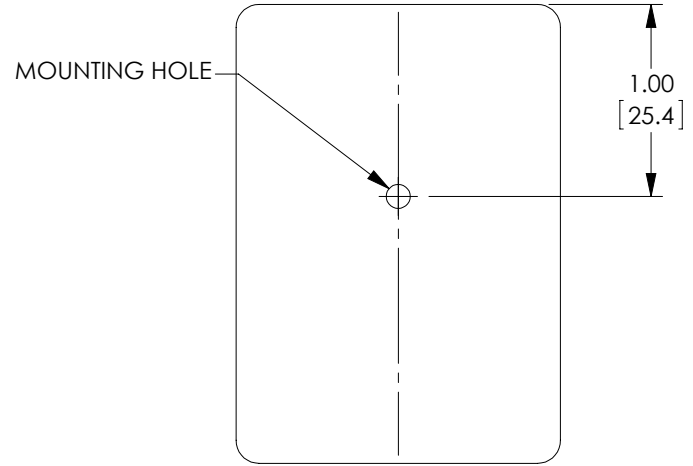
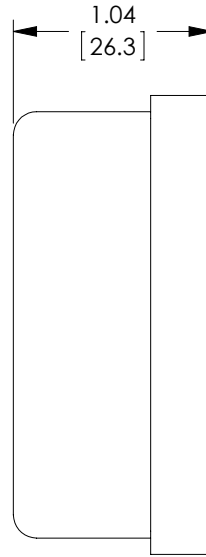
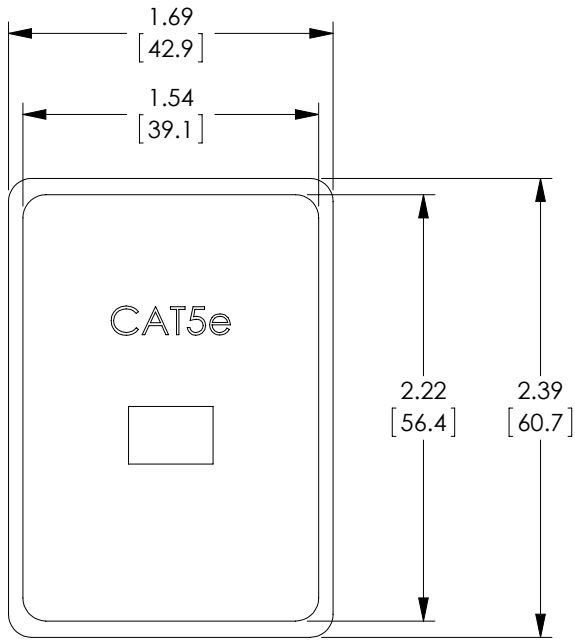


THE INFORMATION CONTAINED IN THIS DRAWING IS THE SOLE PROPERTY OF L-COM, INC. ANY REPRODUCTION IN PART OR WHOLE WITHOUT THE WRITTEN PERMISSION OF L-COM, INC. IS PROHIBITED.

RoHS Compliant ✓

REVISIONS			
REV	DESCRIPTION	DATE	APPROVED
A	INITIAL RELEASE	11/1/12	D.GRIFFIN



KIT INCLUDES:

- 1 DOUBLE SIDED SELF-ADHESIVE PAD
- 1 MOUNTING WOOD SCREW

NOTES:

1. BASE AND COVER ARE HIGH IMPACT THERMOPLASTIC, COLOR: CHROME.
2. COVER SNAPS ON.
3. BOTH EIA568A AND B WIRING CODES ARE LISTED ON RJ45 JACK INSIDE.
4. JACK CONTACTS HAVE 50μ GOLD PLATING.
5. ADAPTOR IS U.L. LISTED AND C.S.A. CERTIFIED.
6. ALL DIMENSIONS ARE FOR REFERENCE ONLY.
7. COMPONENT SHALL BE INDIVIDUALLY PACKAGED IN ACCORDANCE WITH L-COM SPECIFICATION PS-0031.

UNLESS OTHERWISE SPECIFIED, DIMENSIONS ARE IN INCHES [mm] OVERALL CABLE LENGTH TOLERANCE: ≤12 [305] = +1 [25] / -0 >12 [305] ≤60 [1524] = +2 [51] / -0 >60 [1524] ≤120 [3048] = +4 [102] / -0 >120 [3048] ≤300 [7620] = +6 [152] / -0 >300 [7620] = +3% / -0%	APPROVALS	DATE		45 BEECHWOOD DRIVE NORTH ANDOVER, MA 01845
	DRAWN BY D. DESJARDIN	10/31/12		
ALL OTHER DIMENSIONAL TOLERANCES: .X = ± .2 .XX = ± .02 .XXX = ± .005	CHECKED BY D. FRISIELLO	10/31/12	CATEGORY TELECOM/MODULAR	
	APPROVED BY M. MARTINEZ	10/31/12	PRODUCT DESCRIPTION SRFC MNT BOX 1 C5E RJ45 SHLD	
PROJECTION 	CONFIGURATION DETAILS OF UNDIMENSIONED FEATURES MAY VARY	COLOR VARIATIONS MAY OCCUR	SIZE A	FSCM NO. 43321
			DWG. NO. SMB110C5ES-S	REV. A
			SCALE: NONE	CAD FILE: SMB110C5ES-S.LDDRW
			SHEET 1 OF 1	