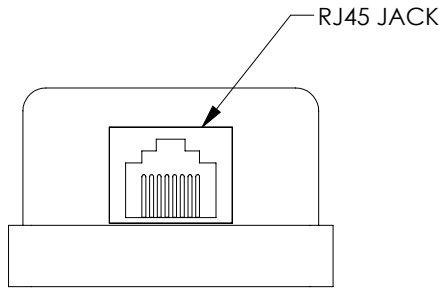
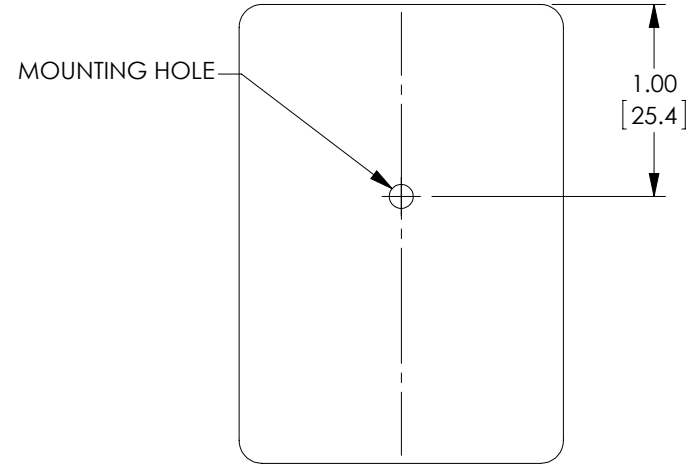
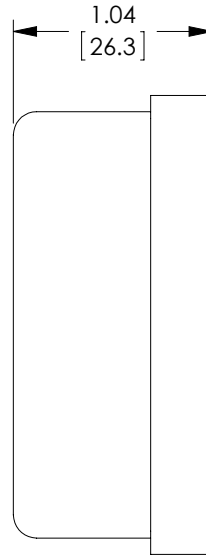
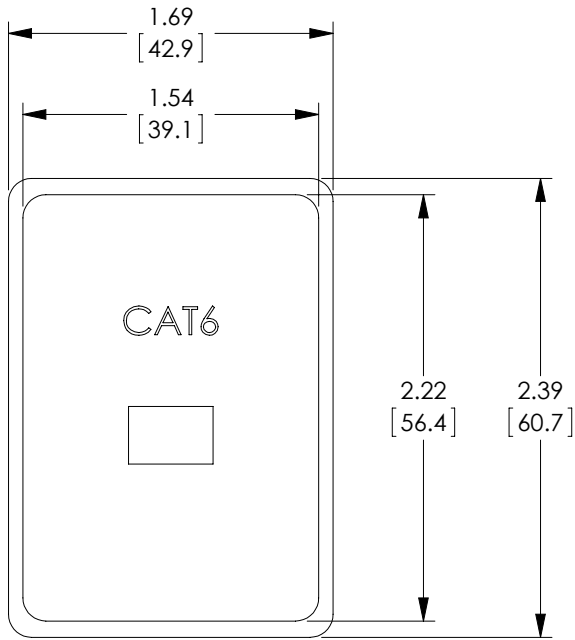


THE INFORMATION CONTAINED IN THIS DRAWING IS THE SOLE PROPERTY OF L-COM, INC. ANY REPRODUCTION IN PART OR WHOLE WITHOUT THE WRITTEN PERMISSION OF L-COM, INC. IS PROHIBITED.

**RoHS Compliant** ✓

REVISIONS			
REV	DESCRIPTION	DATE	APPROVED
A	INITIAL RELEASE	11/1/12	D.GRIFFIN



**KIT INCLUDES:**

- 1 DOUBLE SIDED SELF-ADHESIVE PAD
- 1 MOUNTING WOOD SCREW

**NOTES:**

1. BASE AND COVER ARE HIGH IMPACT THERMOPLASTIC, COLOR: CHROME.
2. COVER SNAPS ON.
3. BOTH EIA568A AND B WIRING CODES ARE LISTED ON RJ45 JACK INSIDE.
4. JACK CONTACTS HAVE 50μ GOLD PLATING.
5. ADAPTOR IS U.L. LISTED AND C.S.A. CERTIFIED.
6. ALL DIMENSIONS ARE FOR REFERENCE ONLY.
7. COMPONENT SHALL BE INDIVIDUALLY PACKAGED IN ACCORDANCE WITH L-COM SPECIFICATION PS-0031.

UNLESS OTHERWISE SPECIFIED, DIMENSIONS ARE IN INCHES [mm] OVERALL CABLE LENGTH TOLERANCE: ≤12 [305] = +1 [25] / -0 >12 [305] ≤60 [1524] = +2 [51] / -0 >60 [1524] ≤120 [3048] = +4 [102] / -0 >120 [3048] ≤300 [7620] = +6 [152] / -0 >300 [7620] = +3% / -0%	APPROVALS	DATE		45 BEECHWOOD DRIVE NORTH ANDOVER, MA 01845
	DRAWN BY D. DESJARDIN	10/31/12		
ALL OTHER DIMENSIONAL TOLERANCES: .X = ± .2 .XX = ± .02 .XXX = ± .005	CHECKED BY D. FRISIELLO	10/31/12	PRODUCT DESCRIPTION <b>SRFC MNT BOX 1 C6 RJ45 SHLD</b>	
	APPROVED BY M. MARTINEZ	10/31/12		
PROJECTION 	CONFIGURATION DETAILS OF UNDIMENSIONED FEATURES MAY VARY		SCALE: NONE    CAD FILE: SMB110C6S-S.SLDDRW    SHEET 1 OF 1	
COLOR VARIATIONS MAY OCCUR				