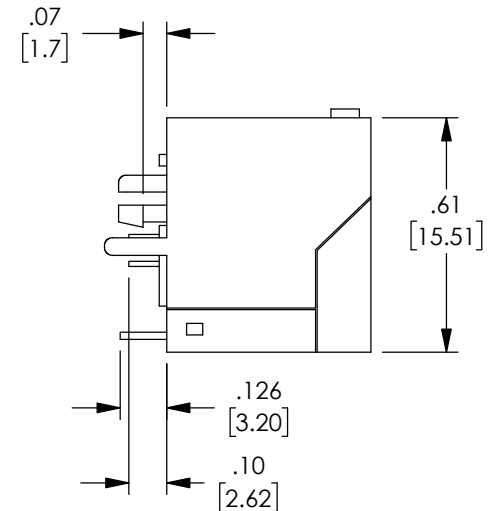
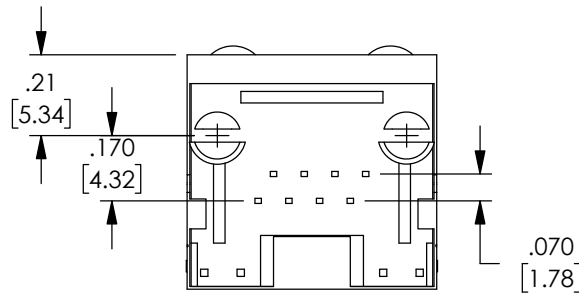
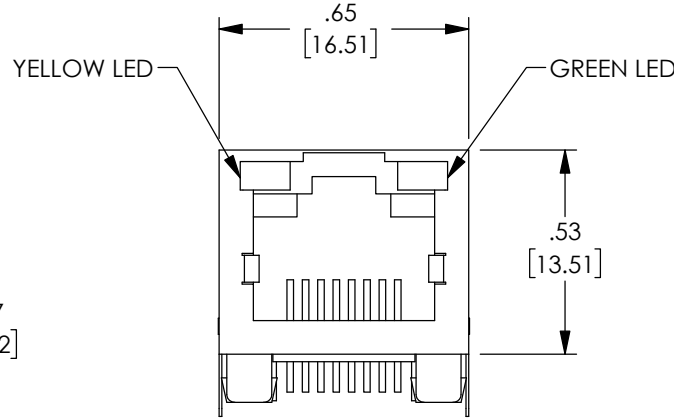
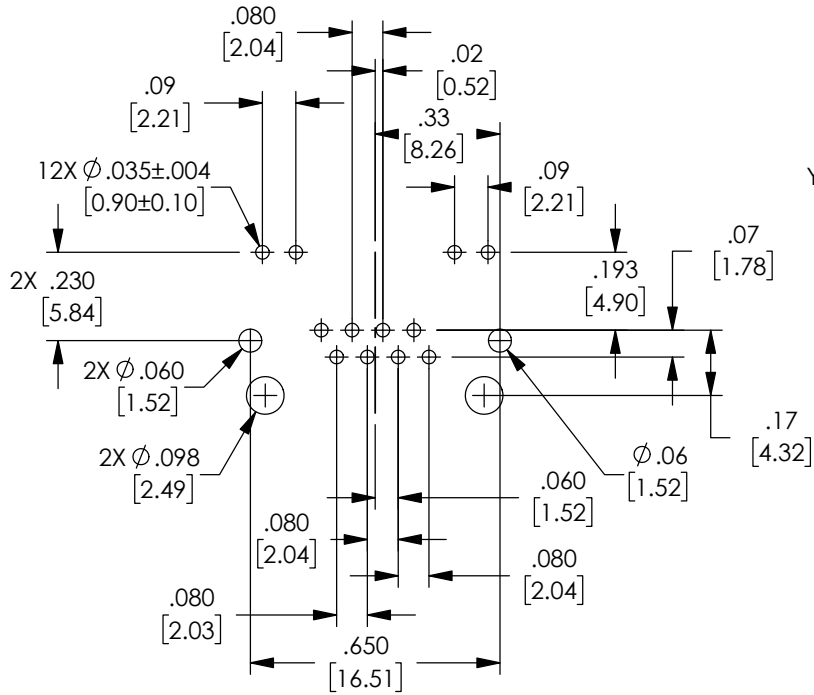


THE INFORMATION CONTAINED IN THIS DRAWING IS THE SOLE PROPERTY OF L-COM, INC. ANY REPRODUCTION IN PART OR WHOLE WITHOUT THE WRITTEN PERMISSION OF L-COM, INC. IS PROHIBITED.

REVISIONS			
REV	DESCRIPTION	DATE	APPROVED
A	INITIAL RELEASE	01/09/2020	GUTTADAURO



SPECIFICATIONS:

PLASTIC HOUSING: ENGINEERING THERMOPLASTIC, UL94V-0
 INNER CONTACTS: PHOSPHOR BRONZE, GOLD OVER NICKEL PLATING.
 OUTER CONTACTS: PHOSPHOR BRONZE, TIN PLATING OVER NICKEL PLATING (SOLDER AREA)

SHIELDING: BRASS PLATING NICKEL ALLOY

ELECTRICAL:


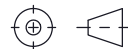
VOLTAGE RATING: 125 Vac rMS
 CURRENT RATING: 1.5 AMP
 CONTACT RESISTANCE: 40 MILLIOHMS MAX.
 INSULATION RESISTANCE: 1000 MEGOHMS MIN 500 Vdc
 DIELECTRIC STRENGTH: 1000 Vac rMS 60HZ, 1 MINUTE

MECHANICAL:

MATING: 750 CYCLES MIN.
 STORAGE TEMPERATURE: -40 °C TO +85 °C
 OPERATING TEMPERATURE: -20 °C TO +75 °C

NOTES:

- ALL DIMENSIONS ARE FOR REFERENCE ONLY.
- COMPONENT SHALL BE INDIVIDUALLY PACKAGED IN ACCORDANCE WITH L-COM SPECIFICATION PS-0031.

UNLESS OTHERWISE SPECIFIED, DIMENSIONS ARE IN INCHES [mm] OVERALL CABLE LENGTH TOLERANCE: ≤12 [305] = +1 [25] / -0 >12 [305] ≤60 [1524] = +2 [51] / -0 >60 [1524] ≤120 [3048] = +4 [102] / -0 >120 [3048] ≤300 [7620] = +6 [152] / -0 >300 [7620] = +5% / -0 ALL OTHER DIMENSIONAL TOLERANCES: .X = ± .2 [5] FRACTIONS ± 1/32 .XX = ± .02 [5] ANGLES ± 1° .XXX = ± .005 [13]	APPROVALS	DATE	 50 High Street, West Mill, North Andover, MA 01845 USA. Phone: 1.800.341.5266 1.978.682.6936
	DRAWN BY DFRISIELLO	01/09/2020	
APPROVED BY GUTTADAURO	CONFIGURATION DETAILS OF UNDIMENSIONED FEATURES MAY VARY		CATEGORY TELECOM/MODULAR
THIRD-ANGLE PROJECTION 	COLOR VARIATIONS MAY OCCUR	PRODUCT DESCRIPTION RJ45 Surface Mount Jack Shielded 90°, LED, Silver	SCALE: NONE CAD FILE: SMJ-RJ45S90-LED.SLDDRW SHEET 1 OF 1
SIZE A	CAGE CODE 43321	DWG. NO. SMJ-RJ45S90-LED	REV. A