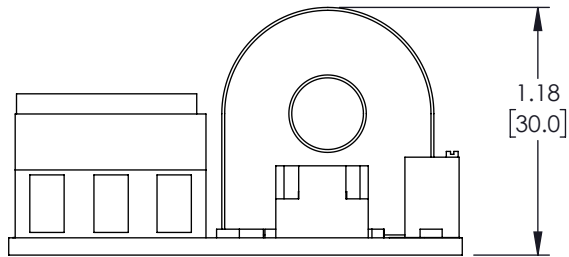
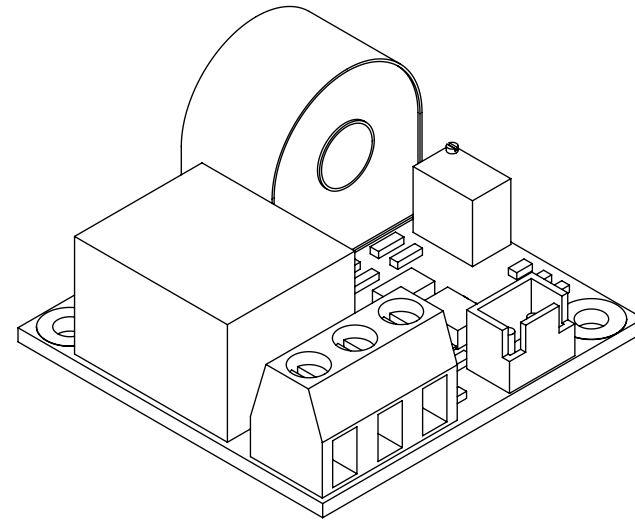
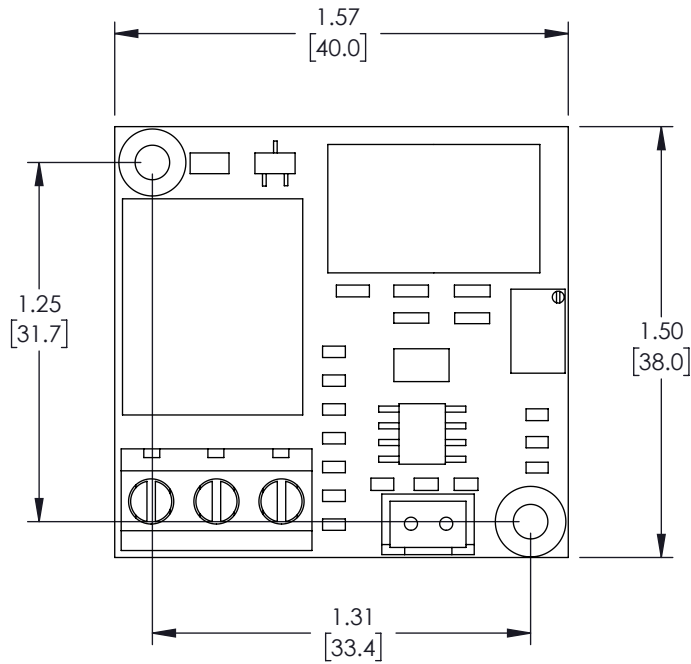



THE INFORMATION CONTAINED IN THIS DRAWING IS THE SOLE PROPERTY OF L-COM, INC. ANY REPRODUCTION IN PART OR WHOLE WITHOUT THE WRITTEN PERMISSION OF L-COM, INC. IS PROHIBITED.

REVISIONS			
REV	DESCRIPTION	DATE	APPROVED
A	INITIAL RELEASE	5/6/2022	THOUGHTON



NOTES:

- COMPONENT SHALL BE INDIVIDUALLY PACKAGED IN ACCORDANCE WITH L-COM SPECIFICATION PS-0031.
- NOT ALL COMPONENTS SHOWN FOR CLARITY.

<p>UNLESS OTHERWISE SPECIFIED, DIMENSIONS ARE IN INCHES [mm]</p> <p>OVERALL CABLE LENGTH TOLERANCE:          ≤12 [305] = +1 [25] / -0          &gt;12 [305] ≤60 [1524] = +2 [51] / -0          &gt;60 [1524] ≤120 [3048] = +4 [102] / -0          &gt;120 [3048] ≤300 [7620] = +6 [152] / -0          &gt;300 [7620] = +5% / -0</p> <p>ALL OTHER DIMENSIONAL TOLERANCES:          .X = ± .2 [5]   FRACTIONS ± 1/32          .XX = ± .02 [5]   ANGLES ± 1°          .XXX = ± .005 [1.3]</p> <p>THIRD-ANGLE PROJECTION</p>	APPROVALS	DATE	 <p>50 High Street, West Mill, North Andover, MA 01845 USA. Phone: 1.800.341.5266 1.978.682.6936</p>			
	DRAWN BY DMAY	4/7/2022		<p>CATEGORY</p> <p style="text-align: center;">SENSORS</p>		
	CHECKED BY HBAKKE	04/07/2022				
	APPROVED BY THOUGHTON	5/6/2022				
<p>CONFIGURATION DETAILS OF UNDIMENSIONED FEATURES MAY VARY</p> <p>COLOR VARIATIONS MAY OCCUR</p>	<p>PRODUCT DESCRIPTION</p> <p style="text-align: center;"><b>AC SENSOR WITH RELAY AND SWITCH OUTPUT SHORT CIRCUIT PROTECTOR</b></p>		<p>SIZE</p> <p><b>A</b></p>	<p>CAGE CODE</p> <p><b>43321</b></p>	<p>ITEM NO.</p> <p><b>SRCN-C222-1A</b></p>	<p>REV.</p> <p><b>A</b></p>
SCALE: NONE		CAD FILE: SRCN-C222-1A.SLDDRW		SHEET 1 OF 1		