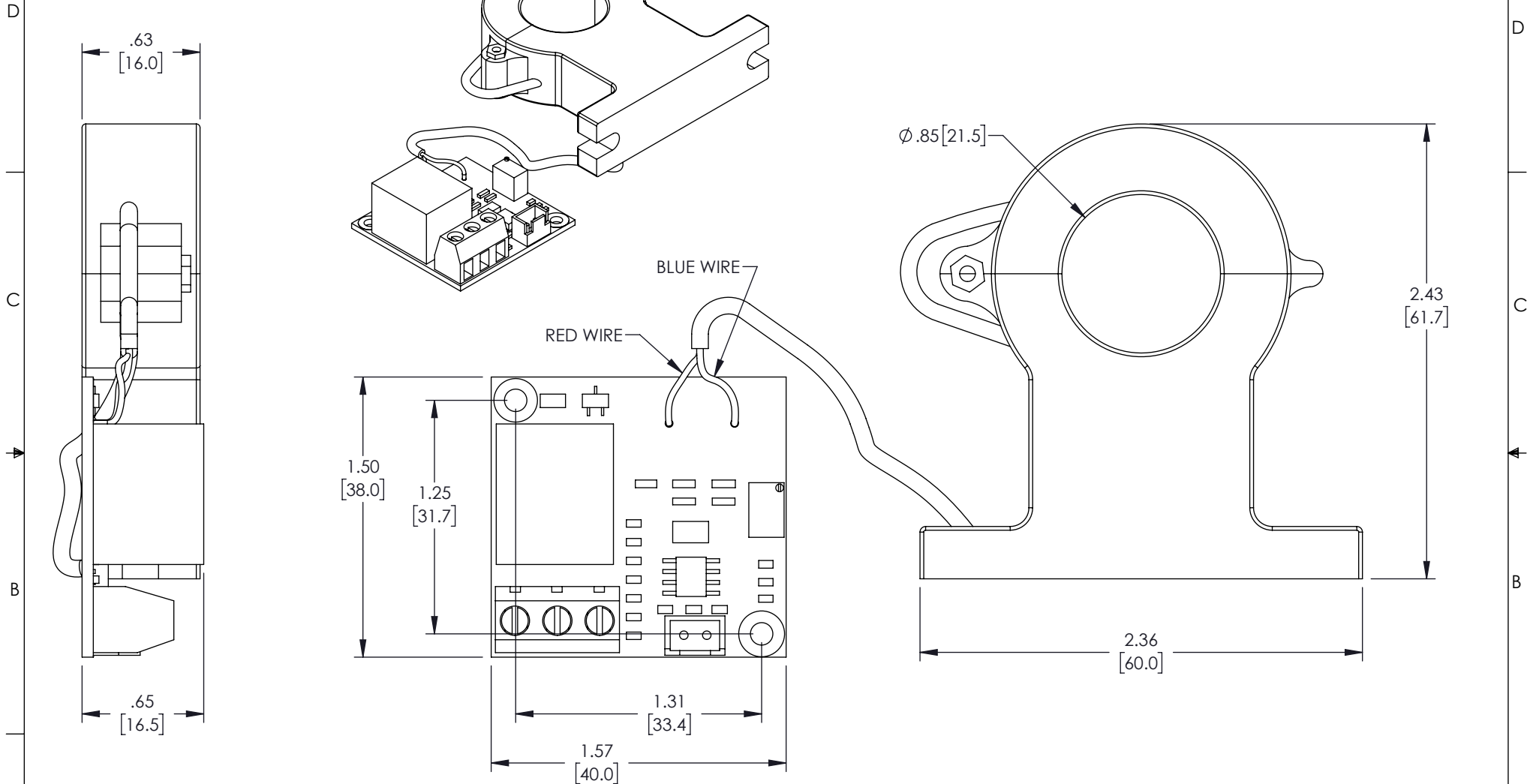



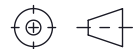
THE INFORMATION CONTAINED IN THIS DRAWING IS THE SOLE PROPERTY OF L-COM, INC. ANY REPRODUCTION IN PART OR WHOLE WITHOUT THE WRITTEN PERMISSION OF L-COM, INC. IS PROHIBITED.

REVISIONS			
REV	DESCRIPTION	DATE	APPROVED
A	INITIAL RELEASE	04/07/2022	THOUGHTON



NOTES:

1. COMPONENT SHALL BE INDIVIDUALLY PACKAGED IN ACCORDANCE WITH L-COM SPECIFICATION PS-0031.
2. NOT ALL COMPONENTS SHOWN FOR CLARITY.

UNLESS OTHERWISE SPECIFIED, DIMENSIONS ARE IN INCHES [mm] OVERALL CABLE LENGTH TOLERANCE: ≤12 [305] = +1 [25] / -0 >12 [305] ≤60 [1524] = +2 [51] / -0 >60 [1524] ≤120 [3048] = +4 [102] / -0 >120 [3048] ≤300 [7620] = +6 [152] / -0 >300 [7620] = +5% / -0 ALL OTHER DIMENSIONAL TOLERANCES: .X = ± .2 [5] FRACTIONS ± 1/32 .XX = ± .02 [.5] ANGLES ± 1° .XXX = ± .005 [.13]	APPROVALS	DATE	 50 High Street, West Mill, North Andover, MA 01845 USA. Phone: 1.800.341.5266 1.978.682.6936	
	DRAWN BY DMAY	4/7/2022		
	CHECKED BY HBAKKE	04/07/2022		
	APPROVED BY THOUGHTON	5/6/2022		
THIRD-ANGLE PROJECTION	CONFIGURATION DETAILS OF UNDIMENSIONED FEATURES MAY VARY	CATEGORY <h3 style="text-align: center;">SENSORS</h3>		
	COLOR VARIATIONS MAY OCCUR	PRODUCT DESCRIPTION <h3 style="text-align: center;">AC CURRENT SENSOR WITH RELAY AND SWITCH OUTPUT SHORT CIRCUIT PROTECTOR</h3>		
SIZE A		CAGE CODE 43321	ITEM NO. SRCN-C227-C3	REV. A
SCALE: NONE		CAD FILE: SRCN-C227-C3.SLDDRW		SHEET 1 OF 1