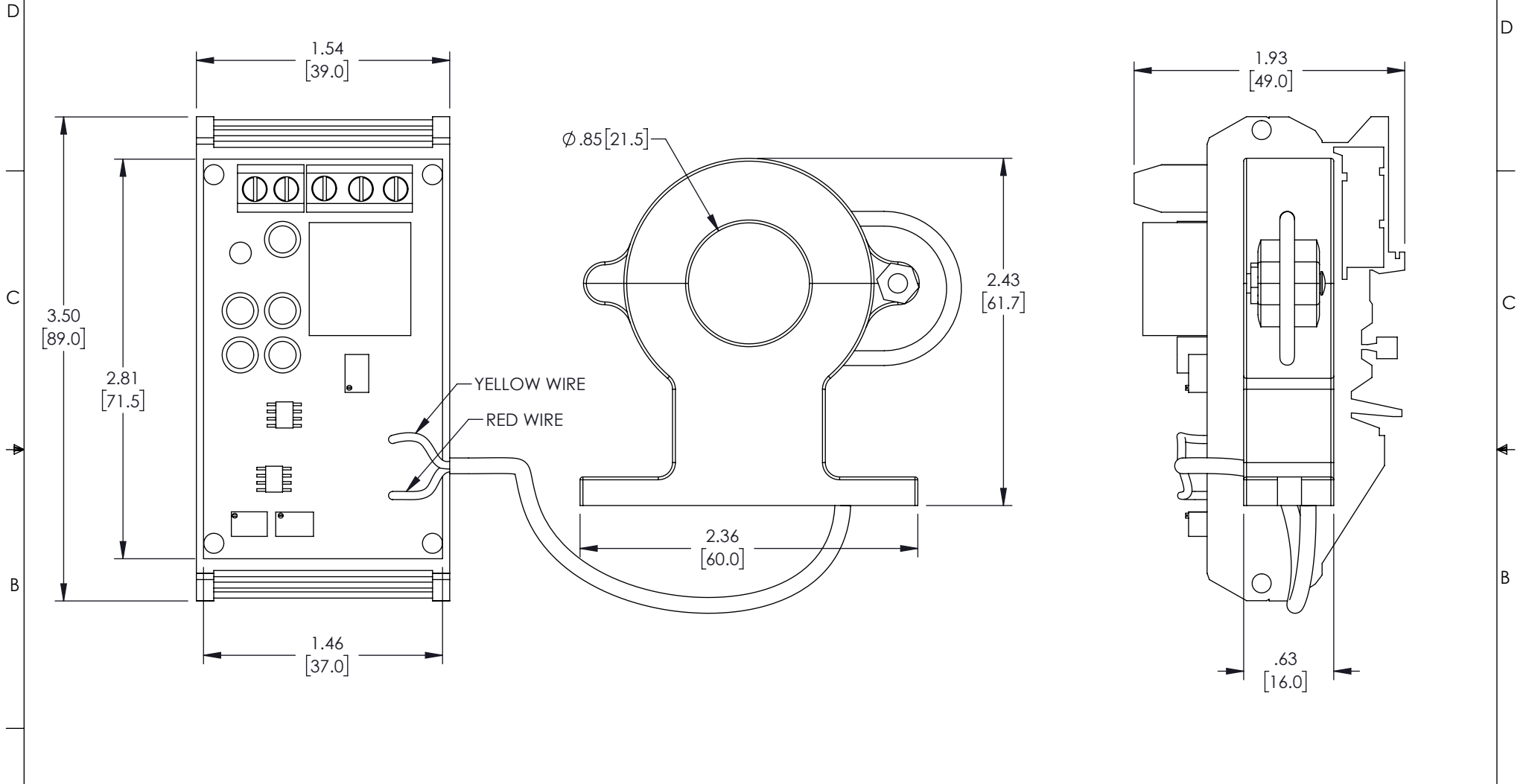


THE INFORMATION CONTAINED IN THIS DRAWING IS THE SOLE PROPERTY OF L-COM, INC. ANY REPRODUCTION IN PART OR WHOLE WITHOUT THE WRITTEN PERMISSION OF L-COM, INC. IS PROHIBITED.

REVISIONS			
REV	DESCRIPTION	DATE	APPROVED
A	INITIAL RELEASE	5/6/2022	THOUGHTON



- NOTES:
- COMPONENT SHALL BE INDIVIDUALLY PACKAGED IN ACCORDANCE WITH L-COM SPECIFICATION PS-0031.
 - NOT ALL COMPONENTS SHOWN FOR CLARITY.

<p>UNLESS OTHERWISE SPECIFIED, DIMENSIONS ARE IN INCHES [mm]</p> <p>OVERALL CABLE LENGTH TOLERANCE: ≤ 12 [305] = +1 [25] / -0 > 12 [305] ≤ 60 [1524] = +2 [51] / -0 > 60 [1524] ≤ 120 [3048] = +4 [102] / -0 > 120 [3048] ≤ 300 [7620] = +6 [152] / -0 > 300 [7620] = +5% / -0</p> <p>ALL OTHER DIMENSIONAL TOLERANCES: .X = $\pm .2$ [5] FRACTIONS $\pm 1/32$.XX = $\pm .02$ [.5] ANGLES $\pm 1^\circ$.XXX = $\pm .005$ [.13]</p> <p>THIRD-ANGLE PROJECTION</p>	APPROVALS	DATE	<p>50 High Street, West Mill, North Andover, MA 01845 USA. Phone: 1.800.341.5266 1.978.682.6936</p>		
	DRAWN BY DMAY	4/7/2022			
	CHECKED BY HBAKKE	04/07/2022			
	APPROVED BY THOUGHTON	5/6/2022			
	CONFIGURATION DETAILS OF UNDIMENSIONED FEATURES MAY VARY	<p>CATEGORY</p> <p>SENSORS</p>			
	COLOR VARIATIONS MAY OCCUR	<p>PRODUCT DESCRIPTION</p> <p>AC CURRENT SENSOR WITH SWITCH OUTPUT, 0-100A</p>			
		<p>SIZE</p> <p>A</p>	<p>CAGE CODE</p> <p>43321</p>	<p>ITEM NO.</p> <p>SRCN-C267-2</p>	<p>REV.</p> <p>A</p>
		SCALE: NONE	CAD FILE: SRCN-C267-2.SLDDRW	SHEET 1 OF 1	