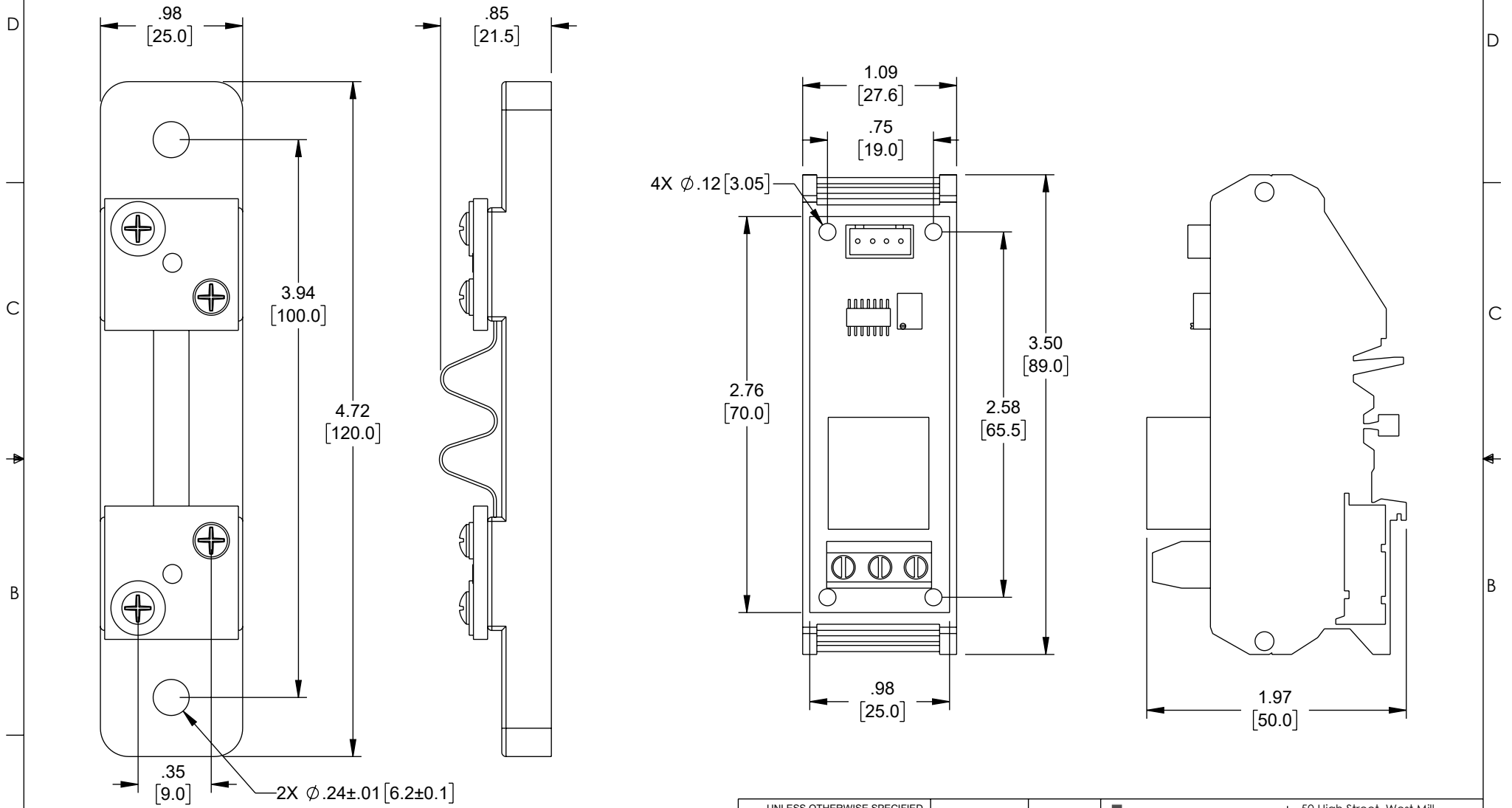



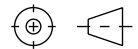
THE INFORMATION CONTAINED IN THIS DRAWING IS THE SOLE PROPERTY OF L-COM, INC. ANY REPRODUCTION IN PART OR WHOLE WITHOUT THE WRITTEN PERMISSION OF L-COM, INC. IS PROHIBITED.

REVISION					
ZONE	REV	DESCRIPTION	DATE	CHANGED BY	APPROVED
	B	ECO-13049	09/13/2023	DMAY	THOUGHTON



NOTES:

1. COMPONENT SHALL BE INDIVIDUALLY PACKAGED IN ACCORDANCE WITH L-COM SPECIFICATION PS-0031.
2. NOT ALL COMPONENTS SHOWN FOR CLARITY.

UNLESS OTHERWISE SPECIFIED, DIMENSIONS ARE IN INCHES [mm] OVERALL CABLE LENGTH TOLERANCE: ≤ 12 [305] = +1 [25] / -0 > 12 [305] ≤ 60 [1524] = +2 [51] / -0 > 60 [1524] ≤ 120 [3048] = +4 [102] / -0 > 120 [3048] ≤ 300 [7620] = +6 [152] / -0 > 300 [7620] = +5% / -0 ALL OTHER DIMENSIONAL TOLERANCES: .X = \pm .2 [5] FRACTIONS \pm 1/32 .XX = \pm .02 [.5] ANGLES \pm 1° .XXX = \pm .005 [.13]	APPROVALS DRAWN BY DMAY CHECKED BY HBAKKE APPROVED BY THOUGHTON	DATE 04/07/2022 04/07/2022 05/06/2022	 50 High Street, West Mill, North Andover, MA 01845 USA. Phone: 1.800.341.5266 1.978.682.6936	
	CONFIGURATION DETAILS OF UNDIMENSIONED FEATURES MAY VARY COLOR VARIATIONS MAY OCCUR	CATEGORY SENSORS		PRODUCT DESCRIPTION ISOLATED DC CURRENT SHUNT CURRENT SENSOR, 0-20A, DC 5V
THIRD-ANGLE PROJECTION 	SIZE A	CAGE CODE 43321	ITEM NO. SRCN-C410-1	REV. B
SCALE: NONE		CAD FILE: SRCN-C410-1.SLDDRW		SHEET 1 OF 1