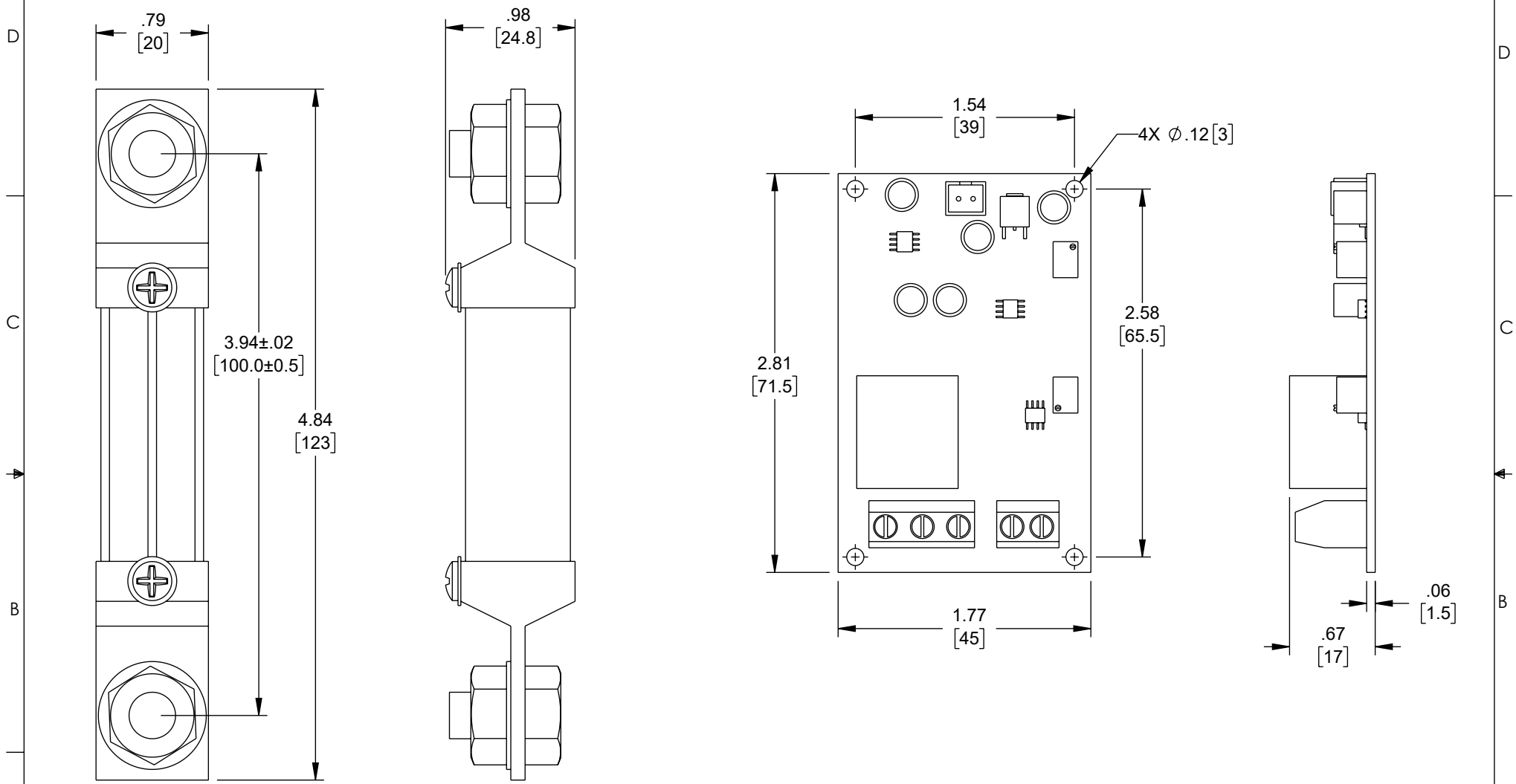


THE INFORMATION CONTAINED IN THIS DRAWING IS THE SOLE PROPERTY OF L-COM, INC. ANY REPRODUCTION IN PART OR WHOLE WITHOUT THE WRITTEN PERMISSION OF L-COM, INC. IS PROHIBITED.

REVISION					
ZONE	REV	DESCRIPTION	DATE	CHANGED BY	APPROVED
	B	ECO-13049	9/13/2023	DMAY	THOUGHTON



NOTES:

1. COMPONENT SHALL BE INDIVIDUALLY PACKAGED IN ACCORDANCE WITH L-COM SPECIFICATION PS-0031.
2. NOT ALL COMPONENTS SHOWN FOR CLARITY.

<p>UNLESS OTHERWISE SPECIFIED, DIMENSIONS ARE IN INCHES [mm]</p> <p>OVERALL CABLE LENGTH TOLERANCE: ≤12 [305] = +1 [25] / -0 >12 [305] ≤60 [1524] = +2 [51] / -0 >60 [1524] ≤120 [3048] = +4 [102] / -0 >120 [3048] ≤300 [7620] = +6 [152] / -0 >300 [7620] = +5% / -0</p> <p>ALL OTHER DIMENSIONAL TOLERANCES: .X = ± .2 [5] FRACTIONS ± 1/32 .XX = ± .02 [.5] ANGLES ± 1° .XXX = ± .005 [.13]</p> <p>THIRD-ANGLE PROJECTION</p>	<p>APPROVALS</p> <p>DATE</p>	<p>L-com[™] an INFINITI[®] brand</p> <p>50 High Street, West Mill, North Andover, MA 01845 USA. Phone: 1.800.341.5266 1.978.682.6936</p>	
	<p>DRAWN BY DMAY</p> <p>4/7/2022</p>		<p>CATEGORY</p> <p>SENSORS</p>
	<p>CHECKED BY HBAKKE</p> <p>04/07/2022</p>		<p>PRODUCT DESCRIPTION</p> <p>DC CURRENT SHUNT CURRENT SENSOR, 0-300A, DC 12V</p>
	<p>APPROVED BY THOUGHTON</p> <p>05/06/2022</p>		<p>SIZE</p> <p>A</p>
<p>CONFIGURATION DETAILS OF UNDIMENSIONED FEATURES MAY VARY</p>	<p>CAGE CODE</p> <p>43321</p>	<p>ITEM NO.</p> <p>SRCN-C425-2</p>	<p>REV.</p> <p>B</p>
<p>COLOR VARIATIONS MAY OCCUR</p>	<p>SCALE: NONE</p>	<p>CAD FILE: SRCN-C425-2.SLDDRW</p>	<p>SHEET 1 OF 1</p>