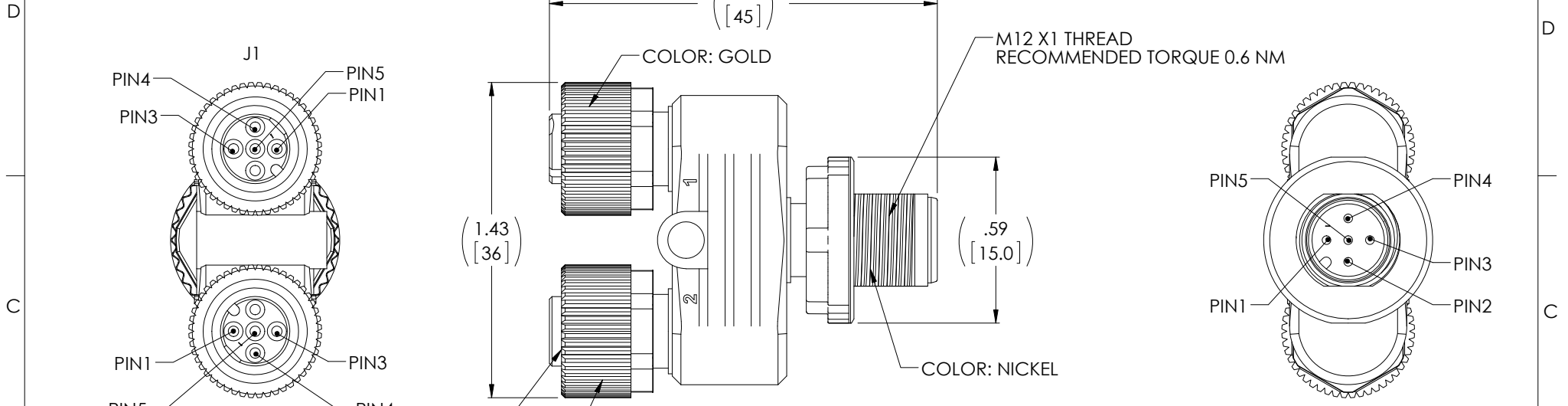


THE INFORMATION CONTAINED IN THIS DRAWING IS THE SOLE PROPERTY OF L-COM, INC. ANY REPRODUCTION IN PART OR WHOLE WITHOUT THE WRITTEN PERMISSION OF L-COM, INC. IS PROHIBITED.

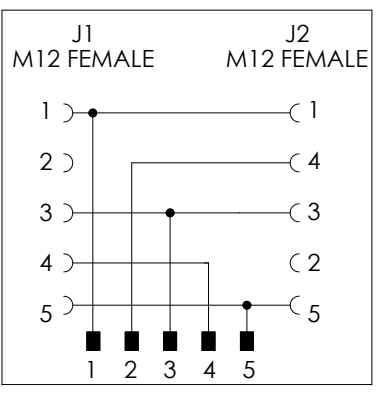
REVISIONS			
REV	DESCRIPTION	DATE	APPROVED
A	INITIAL RELEASE PER DUSTIN GUTTADAURO	04/04/17	J.LABOY



J2  
2X M12 4PIN A-CODE FEMALE

M12 X1 INTERNAL THREAD RECOMMENDED TORQUE 0.6 NM

WIRING MAP



NOTES:

MECHANICAL DATA

- HOUSING: T-COUPLER SLIMLINE M12 5PIN MALE TO 2X M12 4PIN FEMALE
- PROTECTION: IP67 (WHEN MATED AND TIGHTENED, EN60529)
- TEMP RANGE: -25°C TO +85°C

MISCELLANEOUS

- NOMINAL VOLTAGE: MAX 60V AC/DC
- RATED CURRENT: MAX 4A PER CONTACT
- INTENDED USE: INDUSTRIAL CONTROL AND SIGNAL DISTRIBUTION (NOT FOR INTERRUPTING CURRENT)

REGULATORY COMPLIANCE:  
CE 2011/65/EU (ROHS DIRECTIVE)

UNLESS OTHERWISE SPECIFIED, DIMENSIONS ARE IN INCHES [mm] OVERALL CABLE LENGTH TOLERANCE: ≤12 [305] = +1 [25] / -0 >12 [305] ≤60 [1524] = +2 [51] / -0 >60 [1524] ≤120 [3048] = +4 [102] / -0 >120 [3048] ≤300 [7620] = +6 [152] / -0 >300 [7620] = +5% / -0%	APPROVALS	DATE		50 HIGH STREET NORTH ANDOVER, MA 01845
	DRAWN BY D.CUI	03/31/17		
ALL OTHER DIMENSIONAL TOLERANCES: .X = ± .2 [5.08] .XX = ± .02 [1.51] .XXX = ± .005 [1.13]	CHECKED BY B.ZHANG	03/31/17	CATEGORY TELECOM/MODULAR	
	APPROVED BY S.PAN	03/31/17	PRODUCT DESCRIPTION T-COUPLER SLIMLINE M12 5PIN MALE / 2X M12 4PIN FEMALE	
PROJECTION 	CONFIGURATION DETAILS OF UNDIMENSIONED FEATURES MAY VARY	COLOR VARIATIONS MAY OCCUR	SIZE <b>A</b>	FSCM NO. <b>43321</b>
			DWG. NO. TC-M125AM-2M124AF	REV. <b>A</b>
			SCALE: NONE	CAD FILE: TC-M125AM-2M124AF.SLDDRW
				SHEET 1 OF 1