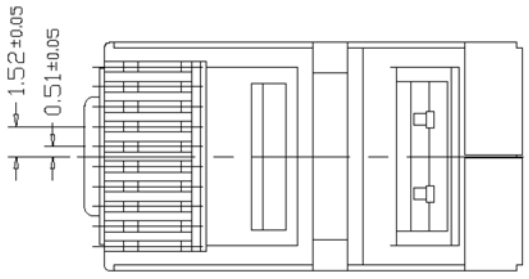
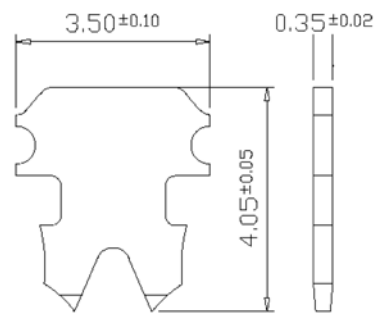
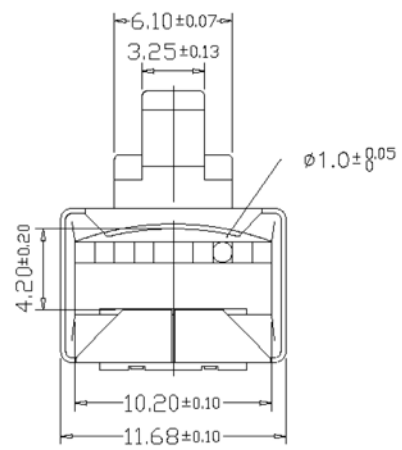
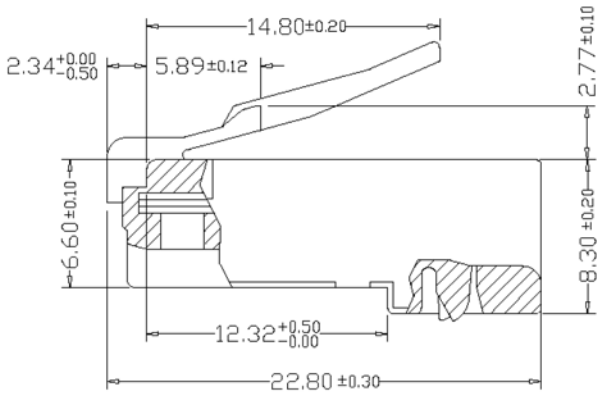
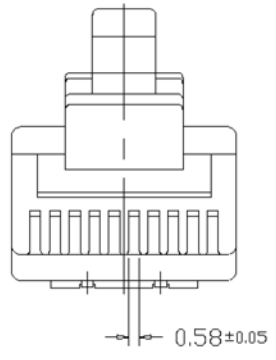


THE INFORMATION CONTAINED IN THIS DRAWING IS THE SOLE PROPERTY OF L-COM, INC. ANY REPRODUCTION IN PART OR WHOLE WITHOUT THE WRITTEN PERMISSION OF L-COM, INC. IS PROHIBITED.

REVISIONS			
REV	DESCRIPTION	DATE	APPROVED
A	INITIAL RELEASE	1/16/13	D.GRIFFIN
B	ECN 7417: CHANGED PACKAGING TO BAGS, REVISED FORMAT, ROHS	5/1/14	D.FRISIELLO



2 PRONG CONTACT FOR STRANDED WIRE

NOTES:

HOUSING: POLYCARBONATE, UL94V-0
 CONTACT TYPE: 2 PRONG FOR STRANDED WIRE
 CONTACT FINISH: GOLD PLATING
 CONTACT MATERIAL: PHOSPHOR BRONZE
 SHIELD MATERIAL: BRASS WITH NICKEL PLATING
 PACKAGING: BAG OF A 100.

ALL DIMENSIONS ARE FOR REFERENCE ONLY.

REGULATORY COMPLIANCE:
 CE2011/65/EU (RoHS DIRECTIVE)

UNLESS OTHERWISE SPECIFIED, DIMENSIONS ARE IN INCHES [mm] OVERALL CABLE LENGTH TOLERANCE: ≤12 [305] = +1 [25] / -0 >12 [305] ≤60 [1524] = +2 [51] / -0 >60 [1524] ≤120 [3048] = +4 [102] / -0 >120 [3048] ≤300 [7620] = +6 [152] / -0 >300 [7620] = +5% / -0% ALL OTHER DIMENSIONAL TOLERANCES: .X = ±.2 [5.08] .XX = ±.02 [1.51] .XXX = ±.005 [1.13]	APPROVALS DRAWN BY D.FRISIELLO CHECKED BY D.GUITADAURO APPROVED BY D.GALLAGHER	DATE 1/15/13 1/15/13 1/15/13	45 BEECHWOOD DRIVE NORTH ANDOVER, MA 01845				
	CATEGORY TELECOM/MODULAR			PRODUCT DESCRIPTION PLUG,RJ50 10X10 SHIELDED			
	PROJECTION 	CONFIGURATION DETAILS OF UNDIMENSIONED FEATURES MAY VARY	COLOR VARIATIONS MAY OCCUR		SIZE A	FSCM NO. 43321	DWG. NO. TDR10P10CS-L
	SCALE: NONE		CAD FILE: TDR10P10CS-L.SLDDRW		SHEET 1 OF 1		

D
C
B
A

D
C
B
A

8 7 6 5 4 3 2 1