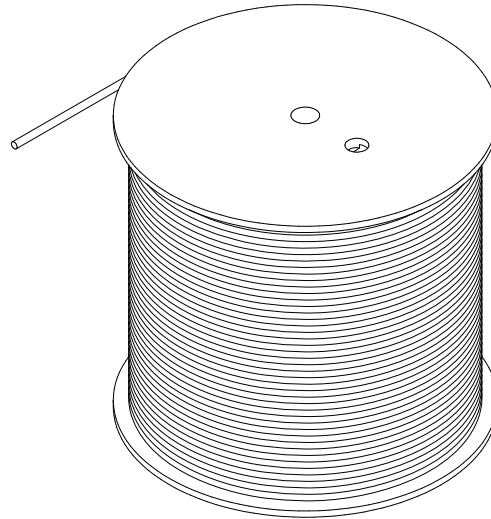


THE INFORMATION CONTAINED IN THIS DRAWING IS THE SOLE PROPERTY OF L-COM, INC. ANY REPRODUCTION IN PART OR WHOLE WITHOUT THE WRITTEN PERMISSION OF L-COM, INC. IS PROHIBITED.

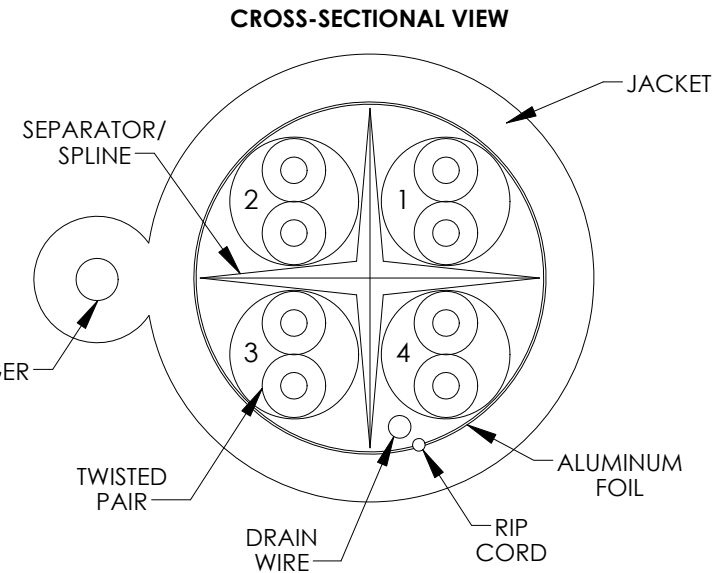
### TFAC6-BLK

TFAC6-BLK CONSISTS OF 1000 FEET OF CONTINUOUS LENGTH BULK CABLE



CAT6 550MHz, F/UTP, OUTDOOR RATED CABLE (SHIELDED) WITH MESSENGER, 4 TWISTED PAIR 23AWG SOLID-BARE COPPER

REVISIONS			
REV	DESCRIPTION	DATE	APPROVED
A	REV A DRAWING RELEASED	10/01/2018	BPUCHASKI
B	ECN 10992 UPDATE JACKET PRINT	02/25/2021	DGUTTADAURO



#### COLOR CODE

- 1) BLUE/WHITE-BLUE
- 2) ORANGE/WHITE-ORANGE
- 3) GREEN/WHITE-GREEN
- 4) BROWN/WHITE-BROWN

#### NOTES:

##### 1.CONSTRUCTION:

CONDUCTOR: 23AWG SOLID BARE COPPER  
 INSULATION: PE AVERAGE THICKNESS (mm) .213  
 INSULATION DIAMETER (±.005mm) 1.01  
 TWISTED PAIR DIAMETER (±.01mm) 2.02  
 SEPERATOR/SPLINE: LDPE  
 DRAIN WIRE (mm) .40 (TC)  
 ALUMINUM FOIL YES  
 MESSENGER: GALVANIZED STEEL (mm) ø1.30

JACKET: LLDPE (UV RATED)(COLOR, BLACK), CMX  
 NOM. WALL THICKNESS (mm) .80 x .65  
 OUTER DIAMETER (±0.10mm) 7.80 x 2.60  
 RIP CORD: YES NYLON

##### 3.PHYSICAL PROPERTIES:

TEMPERATURE RATING 70°C MAX  
 FLAMMABILITY TEST IEC-332-1

##### 4.PRINT:

VERTICAL 4001453 cETLus VERIFIED CMX F/UTP 4PR 23AWG OUTDOOR UV WITH MESSENGER CAT6 550MHz TIA/EIA-568.2-D RoHS XXXXFT B

##### 5.ELECTRICAL CHARACTERISTICS:

IMPEDANCE 1.0-250 MHz (Ohms) 100±15  
 DELAY SKEW (ns/100m) <=45  
 PAIR-TO GROUND CAPACITANCE UNBAL. (pF/100m) <=330  
 VOLTAGE RATING 60V  
 MAX. D.C. RESISTANCE 20°C (Ohms/km) 72.2  
 RESISTANCE UNBALANCES (%) <=5

##### 6.PACKAGING:

CABLE SHIPPED ON A REEL

UNLESS OTHERWISE SPECIFIED, DIMENSIONS ARE IN INCHES [mm]	APPROVALS	DATE	 50 High Street, West Mill, North Andover, MA 01845 USA. Phone: 1.800.341.5266 1.978.682.6936
	OVERALL CABLE LENGTH TOLERANCE: ≤12 [305] = +1 [25] / -0 >12 [305] ≤60 [1524] = +2 [51] / -0 >60 [1524] ≤120 [3048] = +4 [102] / -0 >120 [3048] ≤300 [7620] = +6 [152] / -0 >300 [7620] = +5% / -0	DRAWN BY BPUCHASKI	
ALL OTHER DIMENSIONAL TOLERANCES: .X = ± .2 [5]      FRACTIONS ± 1/32 .XX = ± .02 [.5]      ANGLES ± 1° .XXX = ± .005 [.13]	CHECKED BY DFRISIELLO	10/01/2018	CATEGORY <b>TELECOM/MODULAR</b>
	APPROVED BY dguttadauro	10/01/2018	
THIRD-ANGLE PROJECTION 	CONFIGURATION DETAILS OF UNDIMENSIONED FEATURES MAY VARY	COLOR VARIATIONS MAY OCCUR	SIZE <b>A</b> CAGE CODE <b>43321</b> ITEM NO. <b>TFAC6-BLK</b>
TELECOM/MODULAR		SCALE: NONE	CAD FILE: TFAC6-BLK.SLDDRW SHEET 1 OF 1